



# PY32F002B Datasheet

32 bits ARM® Cortex® - M0+



Puya Semiconductor (Shanghai) Co., Ltd

## Features

- Core
  - 32 bits ARM® Cortex® - M0+
  - Up to 24 MHz as a maximum frequency
- Memories
  - 24 KB Flash memory
  - 3 KB SRAM
- Clock system
  - Internal 24 MHz RC Oscillator (HSI)
  - Internal 32.768 kHz RC Oscillator (LSI)
  - 32.768 kHz low speed crystal oscillator (LSE)
  - External clock input
- Power management and reset
  - Operating voltage: 1.7 ~ 5.5 V
  - Low power modes: Sleep/Stop
  - Power-on/Power-down reset (POR/PDR)
  - Brown-out reset (BOR)
- General purpose input and output (I/O)
  - Up to 18 I/Os , all available as external interrupts
- 1 x 12 bits ADC
  - Support up to 8 external input channels and 2 internal channels
  - Reference sources:
    - Built-in 1.5 V/2.048 V/2.5 V reference voltage, supply voltage V<sub>cc</sub>
- Timer
  - A 16 bits advanced control timer (TIM1)
  - A general purpose 16-bit timer (TIM14)
  - A low-power timer (LPTIM), supports wake-up form stop mode
  - An Independent Watching Timer (IWDG)
  - A SysTick timer
- Communication interface
  - A Serial Peripheral Interface (SPI)
  - A Universal Synchronous/Asynchronous Transceiver (USART) with automatic
  - A I<sup>2</sup>C interface, supports standard mode (100 kHz)、fast mode (400 kHz), support 7 bits addressing mode
- Hardware CRC-32 module
- Two comparators
- Unique UID
- Serial wire debug (SWD)
- Working temp.: -40 ~ 85 °C, -40 ~ 105 °C
- Package: QFN20, TSSOP20, SOP20, QFN16, SOP16, SOP14, SOP8

## Content

<b>1. Introduction</b>	<b>5</b>
<b>2. Functional overview</b>	<b>9</b>
2.1. Arm® Cortex®-M0+ core	9
2.2. Memory	9
2.3. Boot mode	9
2.4. Clock System	10
2.5. Power Management	12
2.5.1. Power block diagram	12
2.5.2. Power monitoring	12
2.5.3. Voltage regulator	13
2.5.4. Low power mode	13
2.6. Rest	13
2.6.1. Power reset	13
2.6.2. System reset	14
2.7. General purpose input and output (GPIO)	14
2.8. Interrupt	14
2.8.1. Interrupt controller NVIC	14
2.8.2. External interrupt/event controller (EXTI)	15
2.9. Analog to digital converter (ADC)	15
2.10. Comparator (COMP)	15
2.10.1. COMP main features	16
2.11. Timer	16
2.11.1. Advanced Timer	16
2.11.2. General purpose timer	17
2.11.3. Lower power timer	17
2.11.4. IWDG	17
2.11.5. SysTick timer	18
2.12. I <sup>2</sup> C Interface	18
2.13. Universal synchronous asynchronous receiver/ transmitter (USART)	19
2.14. Serial peripheral interface (SPI)	20
2.15. SWD	20
<b>3. Pin configuration</b>	<b>21</b>
3.1. Port A multiplexing function mapping	29
3.2. Port B multiplexing function mapping	29
3.3. Port C multiplexing function mapping	29
<b>4. Memory map</b>	<b>30</b>
<b>5. Electrical characteristics</b>	<b>33</b>
5.1. Test conditions	33
5.1.1. Min and Max	33

5.1.2.	Typical value.....	33
5.2.	Absolute maximum ratings.....	33
5.3.	Operating conditions .....	34
5.3.1.	General operating conditions .....	34
5.3.2.	Power on and down operating conditions .....	34
5.3.3.	Embedded reset module features .....	34
5.3.4.	Operating current characteristics .....	35
5.3.5.	Low power mode wake-up time.....	36
5.3.6.	External clock source characteristics .....	36
5.3.7.	Internal high frequency clock source HSI characteristics .....	38
5.3.8.	Internal low frequency clock source LSI characteristics .....	39
5.3.9.	Memory characteristics .....	39
5.3.10.	EFT characteristics.....	40
5.3.11.	ESD & LU characteristics .....	40
5.3.12.	Port characteristics .....	40
5.3.13.	NRST pin characteristics.....	41
5.3.14.	ADC characteristics .....	41
5.3.15.	Comparator characteristics .....	42
5.3.16.	Temperature sensor characteristics .....	42
5.3.17.	Internal reference voltage characteristics .....	43
5.3.18.	ADC internal reference voltage characteristics .....	43
5.3.19.	COMP internal reference voltage characteristics (4-bit DAC).....	43
5.3.20.	Timer characteristics .....	43
5.3.21.	Communication port characteristics .....	44
<b>6.</b>	<b>Package information .....</b>	<b>48</b>
6.1.	QFN20 (3*3*0.5) .....	48
6.2.	QFN20 (3*3*0.55) .....	49
6.3.	TSSOP20.....	50
6.4.	SOP20.....	51
6.5.	QFN16.....	52
6.6.	SOP16.....	53
6.7.	SOP14.....	54
6.8.	SOP8.....	55
<b>7.</b>	<b>Ordering information.....</b>	<b>56</b>
<b>8.</b>	<b>Version history.....</b>	<b>57</b>

# 1. Introduction

PY32F002B series microcontrollers are MCUs with high performance 32 bits ARM® Cortex®-M0+ core and wide voltage operating range. It has embedded 24 KB Flash and 3 KB SRAM memory, a maximum operating frequency of 24 MHz, and contains various products in different package types. The chip integrates I<sup>2</sup>C, SPI, USART and other communication peripherals, one channel 12 bits ADC, two 16 bits timers, and two channel comparators.

PY32F002B series microcontrollers' working temperature ranges from -40 to 85°C or -40 to 105°C with operating voltage from 1.7 ~ 5.5 V. The chip provides sleep and stop low-power operating modes for different low-power applications.

PY32F002B series microcontrollers are suitable for various applications, such as controllers, portable devices, PC peripherals, gaming and GPS platforms, industrial applications.

Puya Confidential

Table 1-1 PY32F002Bx6 Series Product Planning and Features

Peripherals		PY32F002BF15U6	PY32F002BF15P6	PY32F002BW15S6	PY32F002BD15S6
Flash (KB)		24			
SRAM (KB)		3			
Timers	Advanced	1 (16-bit)			
	General purpose	1 (16-bit)			
	Low-power	1			
	SysTick	1			
	Watchdog	1			
Comm. interfaces	SPI	1			
	I <sup>2</sup> C	1			
	USART	1			
GPIOs		18	18	14	12
12-bit ADC (external + internal)		8+2	8+2	7+2	7+2
Comparators		2			
Max. CPU frequency		24 MHz			
Operating Temperature		-40 ~ 85 °C			
Operating Voltage		1.7 ~ 5.5 V			
Package		QFN20	TSSOP20	SOP16	SOP14

Table 1-2 PY32F002Bx7 Series Product Planning and Features

Peripherals		PY32F002BF15 U7	PY32F002BF15 P7	PY32F002BF15 S7	PY32F002BW1 5U7	PY32F002BW1 5S7	PY32F002BD15 S7	PY32F002BL15 S7
Flash (Kbyte)		24	24	24	24	24	24	24
SRAM (Kbyte)		3	3	3	3	3	3	3
Timers	Advanced	1 (16-bit)						
	General purpose	1 (16-bit)						
	Low-power	1						
	SysTick	1						
	Watchdog	1						
Comm. interfaces	SPI	1						
	I <sup>2</sup> C	1						
	USART	1						
GPIOs		18	18	18	14	14	12	6
12-bit ADC (external + internal)		8+2	8+2	8+2	8+2	7+2	7+2	6+2
Comparators		2	2	2	2	2	2	1
Max. CPU frequency		24 MHz						
Operating Temperature		-40 ~ 105 °C						
Operating Voltage		1.7~ 5.5 V						
Package		QFN20	TSSOP20	SOP20	QFN16	SOP16	SOP14	SOP8

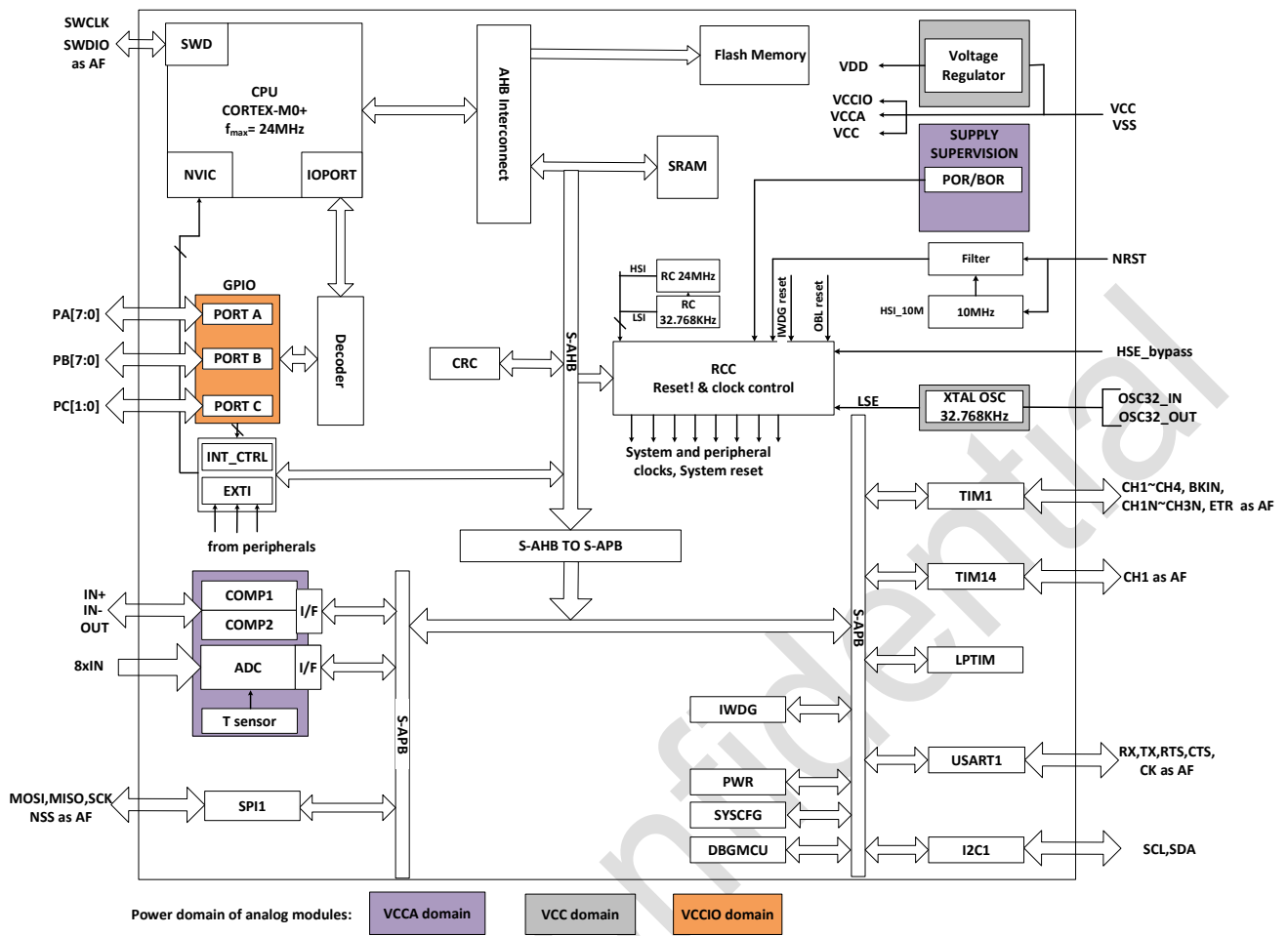


Figure 1-1 Functional Module



## 2. Functional overview

### 2.1. Arm® Cortex®-M0+ core

Arm® Cortex®-M0+ is an entry-level 32 bits Arm Cortex processor designed for a wide range of embedded applications. It provides developers with significant benefits, including:

- Simple structure, easy to learn and program
- Ultra-low power consumption, energy-saving operation
- Reduced code density and more

Cortex-M0+ processor has a 32 bits core, optimized for area and power consumption, as well with a 2-stage pipeline Von Neumann architecture. The processor offers high-end processing hardware, including single-cycle multipliers, through a streamlined but powerful instruction set and an extensively optimized design. Moreover, it delivers the superior performance expected from a 32 bits architecture computer, with a higher coding density than other 8 and 16 bits microcontrollers.

Cortex-M0+ is tightly coupled with a Nested Vectored Interrupt Controller(NVIC).

### 2.2. Memory

The on-chip integrated SRAM is accessed by bytes (8 bits), half-word (16 bits) or word (32 bits).

The on-chip integrated Flash consists of two different physical areas:

- Main flash area, which consists application and user data, in addition, you can set the maximum 4 KB Load flash to be used as the User bootloader.
- The information area has 768 Bytes, and it includes the following parts:
  - Option bytes
  - UID bytes
  - Factory config bytes
  - USER OTP memory

The protection mechanisms of Flash main memory includes the following ones:

- Write protection (WRP) control prevents unwanted writes (confuse by program memory pointer from PC). The minimum protection unit for write protection is 4 KB.
- Option byte write protection has special unlocking design.

### 2.3. Boot mode

Through configuration bit nBOOT0/ nBOOT1(stored in Option bytes), three different boot modes can be selected, as shown in the following table:

Table 2-1 Boot configuration

Boot mode configuration		Mode	
nBOOT1 bit	nBOOT0 bit	Boot memory size ==0	Boot memory size !=0
X	0	Main Flash boots	Main Flash boots
0	1	SRAM boots	SRAM boots
1	1	N/A	Load Flash boots

The Boot loader program is stored in the Load Flash and used to download the Flash program through the USART interface.

## 2.4. Clock System

After the CPU starts, the default system clock frequency is HSI 24 MHz, and the system clock frequency and system clock source can be reconfigured after program runs. The high frequency clocks than can be selected are:

- 24 MHz configurable internal high precision HIS clock
- A 32.768 kHz configurable LSI clock
- 4 ~ 32 MHz external input clock
- 32.768 kHz LSE clock

The AHB clock can be divided based on the system clock, and the APB clock can be divided based on the AHB clock. AHB and APB clock frequencies are up to 24 MHz.

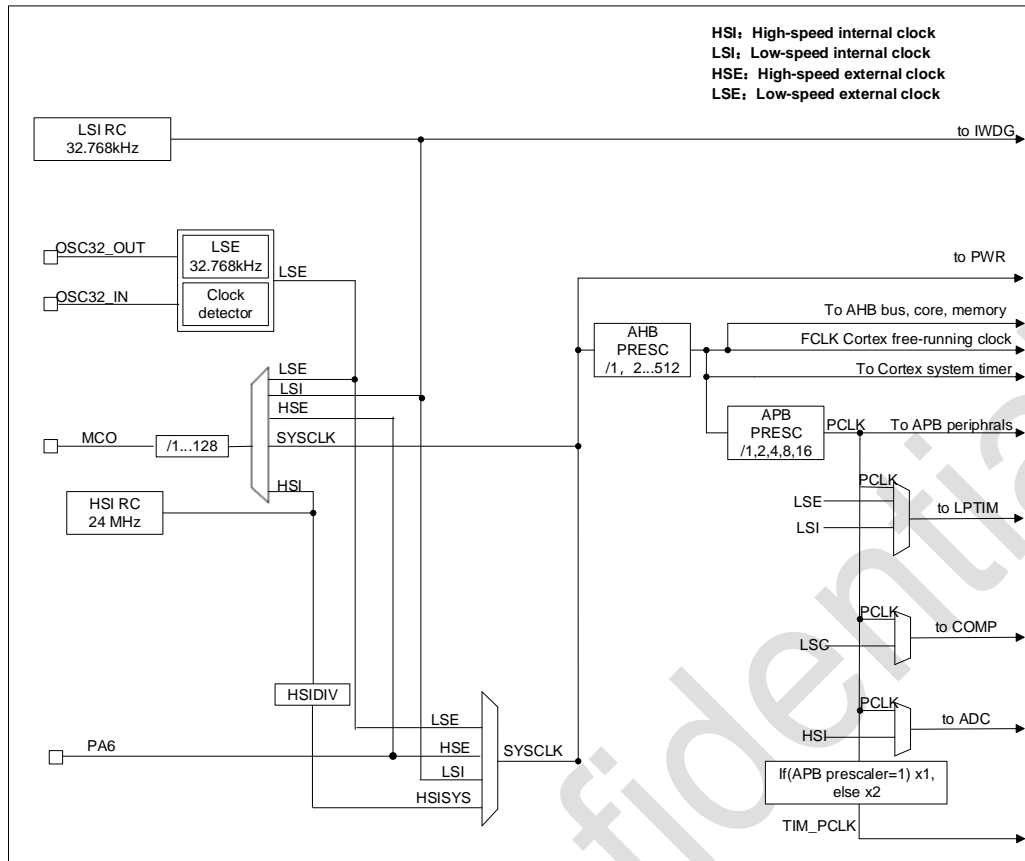


Figure 2-1 System Clock Structure Diagram

## 2.5. Power Management

### 2.5.1. Power block diagram

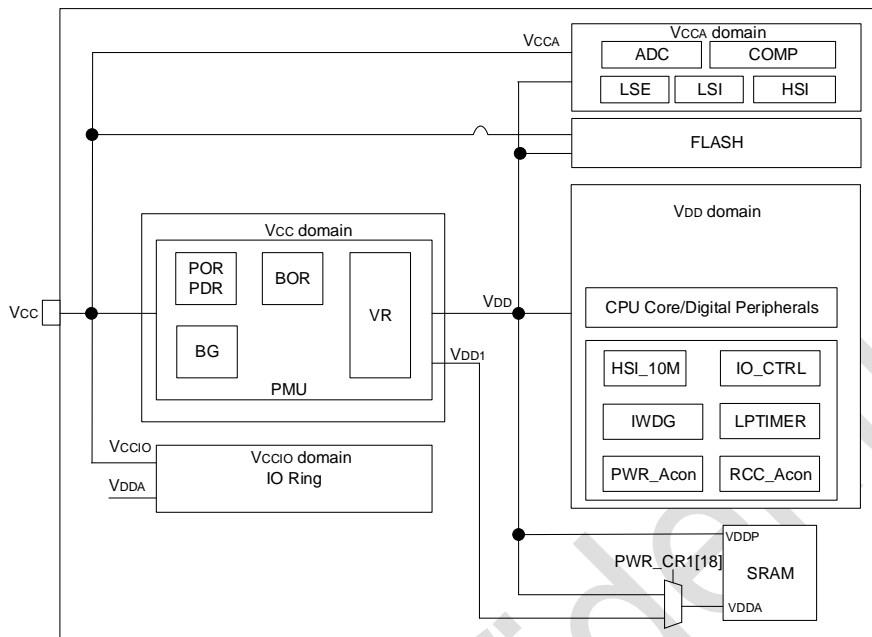


Figure 2-2 Power Block Diagram

Table 2-2 Power Block Diagram

No.	Power supply	Power value	Description
1	V <sub>CC</sub>	1.7 V ~ 5.5 V	The chip is supplied with power through the power pins, and its power supply module is part of the analogue circuit.
2	V <sub>CCA</sub>	1.7 V ~ 5.5 V	Power to most analogue modules from V <sub>CC</sub> PAD (a separate power PAD can also be designed).
3	V <sub>CCIO</sub>	1.7 V ~ 5.5 V	Supply power to IO, from V <sub>CC</sub> PAD

### 2.5.2. Power monitoring

#### 2.5.2.1. Power on reset/ Power down rest (POR/PDR)

The embedded Power on reset (POR)/Power down reset (PDR) modules are designed to provide power-on and power-off reset for the chip. The modules keep working in all modes.

#### 2.5.2.2. Brown-out reset (BOR)

In addition to POR/PDR, BOR (brown out reset) has also been implemented. BOR can only be enabled and disabled through the option byte.

When the BOR is turned on, the BOR threshold can be selected by the Option byte, and both the rising and falling detection points can be configured individually.

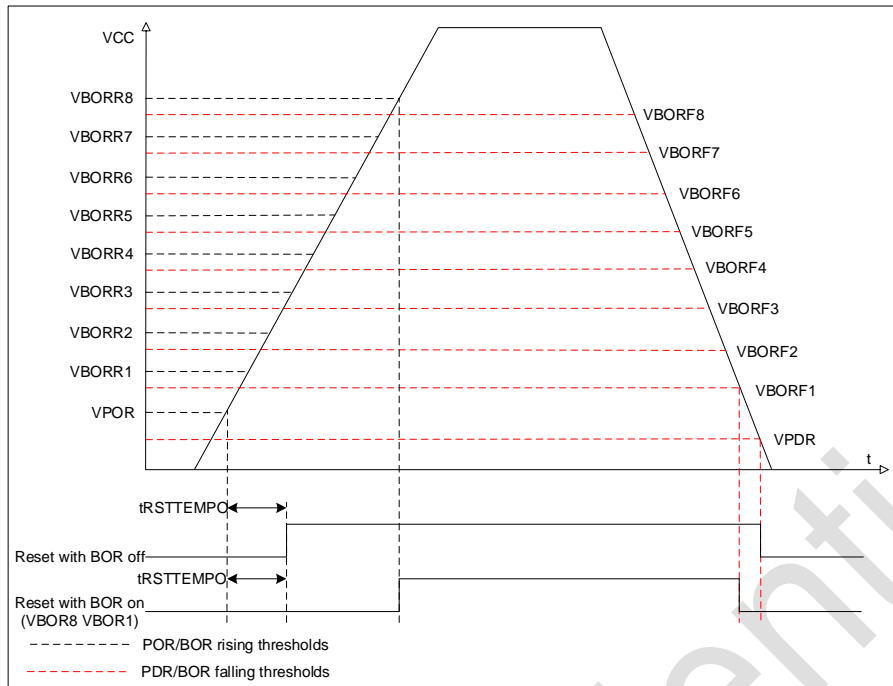


Figure 2-3 POR/PDR/BOR threshold

### 2.5.3. Voltage regulator

The chip designs two voltage regulators:

- MR (Main regulator) keeps working when the chip is in normal operating state
- LPR (low power regulator) provides a lower consumption option in stop mode

### 2.5.4. Low power mode

In addition to the normal operating mode, the chip has other two low-power modes:

- **Sleep mode:** Peripherals can be configured to keep working when the CPU clock is off (NVIC, SysTick, etc.). (It's recommended only to enable the modules that must work, and close the module after the module works.)
- **Stop mode:** In this mode, the contents of SRAM and registers are maintained, HIS is turned off. GPIO, IWDG, NRST, COMP output, LPTIM can wake up stop mode.

## 2.6. Rest

Two resets are designed in the chip: power and system reset.

### 2.6.1. Power reset

A power reset occurs in the following situations:

- Power on reset/ Power down reset (POR/PDR)

- Brown-out reset (BOR)

## 2.6.2. System reset

A system reset occurs when the following events occur:

- Reset of NRST pin
- Independent Watchdog Reset (IWDG)
- SYSRESETREQ software reset
- option byte load reset (OBL)
- Power reset (POR/PDR, BOR)

## 2.7. General purpose input and output (GPIO)

The software configures each GPIO as output (push-pull or open-drain), input (floating, pull-up/down, analogue), peripheral multiplexing function, and locking mechanism freeze I/O port configuration function.

## 2.8. Interrupt

The PY32F002B handles exceptions through the Cortex-M0+ processor's embedded Vectored Interrupt Controller (NVIC) and an Extended Interrupt/Event Controller (EXTI).

### 2.8.1. Interrupt controller NVIC

NVIC is a tightly coupled IP inside the Cortex-M0+ processor. The NVIC can handle NMI (Non-Maskable Interrupts) and maskable external interrupts from outside the processor and Cortex-M0+ internal exceptions. NVIC provides flexible priority management.

The tight coupling of the processor core to the NVIC greatly reduces the delay between an interrupt event and the initiation of the corresponding interrupt service routine (ISR). The ISR vectors are listed in a vector table, stored at a base address of the NVIC. The vector table base address determines the vector address of the ISR to execute, and the ISR is used as the offset composed of serial numbers.

If a high-priority interrupt event occurs and a low-priority interrupt event is just waiting to be serviced, the later arriving high-priority interrupt event will be serviced first. Another optimization is called tail-chaining. When returning from a high-priority ISR and then starting a pending low-priority ISR, unnecessary pushes and pops of processor contexts will be skipped. This reduces latency and improves power efficiency.

NVIC features:

- Low latency interrupt handling
- Level 4 Interrupt Priority

- Supports one NMI interrupt
- Supports 18 maskable external interrupts
- Supports 10 Cortex-M0+ exceptions
- High-priority interrupts can interrupt low-priority interrupt responses
- Supports tail-chaining optimization
- Hardware Interrupt Vector Retrieval

### 2.8.2. External interrupt/event controller (EXTI)

EXTI adds flexibility to handle physical wire events and generates wake-up events when the processor wakes up from stop mode.

The EXTI controller has multiple channels, including a maximum of 18 GPIOs, 2 COMP outputs, and LPTIM wake up signal. GPIO, COMP can be configured to be triggered by a rising edge, falling edge or double edge. Any GPIO signal can be configured as EXTI0 ~ 7 channel through the select signal.

Each EXTI line can be independently masked through registers.

The EXTI controller can capture pulses shorter than the internal clock period.

Registers in the EXTI controller latch each event. Even in stop mode, after the processor wakes up from stop mode, it can identify the wake-up source or identify the GPIO and event that caused the interrupt.

### 2.9. Analog to digital converter (ADC)

The chip has a 12 bits SAR-ADC. The module has up to 10 channels, including 8 external channels and 2 internal channels. Reference voltage can be selected from on-chip precise voltage (1.5V, 2.048V, 2.5V) or  $V_{CC}$  power supply.

The conversion mode of each channel can be set to single, continuous, sweep, discontinuous mode. Conversion results are stored in left or right-aligned 16 bits data registers.

An analogue watchdog allows the application to detect if the input voltage exceeds a user-defined high or low threshold.

The ADC has been implemented to operate at a low frequency, resulting in lower power consumption. At the end of sampling, conversion, and continuous conversion, an interrupt request is generated when the conversion voltage exceeds the threshold when simulating the watchdog.

### 2.10. Comparator (COMP)

The on-chip general purpose comparators (COMP) can also be used in combination with timers. The comparators can be used as follows :

- Wakeup from low-power mode triggered by an analog signal

- Analog signals conditioning
- Cycle-by-cycle current control loop when combined with a PWM output from a timer

### 2.10.1. COMP main features

- Each comparator has configurable positive and negative inputs used for flexible voltage selection:
  - Multiplexing I/O pin
  - Power supply  $V_{CC}$  and 15 submultiple values (1/16、 2/16 ... 15/16) provided by voltage divider
  - Reference voltage can be selected from on-chip precise voltage (1.5V, 2.048V, 2.5V) or  $V_{CC}$  power supply, and 15 submultiple values (1/16、 2/16 ... 15/16) provided by voltage divider
- The outputs can be redirected to an I/O or to timer inputs for triggering:
  - OCREF\_CLR event (cycle by cycle current control)
  - Brakes for fast PWM shutdown

Each COMP has interrupt generation capability which is used to wake up the chip from low power modes (sleep and stop mode) (Via EXTI).

## 2.11. Timer

The characteristics of PY32F002B are shown in the following table :

Table 2-3 Timer characteristics

Types	Timer	Bit Width	Counting Direction	Prescaler	Capture/compare channel	Complementary output
Advanced	TIM1	16 bits	Superior, Down, Center aligned	1~65536	4	3
General purpose	TIM14	16 bits	Superior	1~65536	1	-

### 2.11.1. Advanced Timer

The advanced timer (TIM1) consists of a 16 bits auto-reload counter driven by a 16 bits programmable prescaler. It can be used in various scenarios, including pulse length measurement of input signals (input capture) or generating output waveforms (output compare, output PWM, complementary PWM with dead-time insertion).

TIM1 includes 4 independent channels:



- Input capture
- Output comparison
- PWM generation (edge or center-aligned mode)
- Single pulse mode output

If TIM1 is configured as a standard 16-bit timer, it has the same characteristics as the TIMx timer. Full modulation capability (0-100%) if configured as a 16 bits PWM generator.

In the MCU debug mode, TIM1 can freeze counting.

The timer feature with the same architecture is shared so that the TIM1 can work with other timers for synchronization or event chaining through the timer chaining function.

### 2.11.2. General purpose timer

- The general purpose timer TIM14 consists of 16 bits programmable prescaler
- TIM14 has an independent channel for input capture/ output compare, PWM or single pulse mode output
- In the MCU debug mode, the TIM14 can freeze counting

### 2.11.3. Lower power timer

- LPTIM is a 16-bit up counter with a 3 bits prescaler and only support a single count
- LPTIM can be configured as a stop mode wakeup source
- In the MCU debug mode, LPTIM can freeze the count value

### 2.11.4. IWDG

Independent watchdog (IWDG) is integrated in the chip, and this module has the characteristics of high-security level, accurate timing and flexible use. IWDG finds and resolves functional confusion due to software failure and triggers a system reset when the counter reaches the specified timeout value.

- The IWDG is clocked by LSI, so even if the main clock fails, it can keep working
- IWDG is the best suited for applications that require the watchdog as a standalone process outside of the main application and do not have high timing accuracy constraints.
- Controlling of option byte can enable IWDG hardware mode
- IWDG is the wake-up source of stop mode, which wakes up stop mode by reset
- In the MCU debug mode, IWDG can freeze the count value

### 2.11.5. SysTick timer

SysTick counters are specifically for real-time operating systems (RTOS) also can use as standard down counters.

SysTick Features:

- 24 bits count down
- Self-loading capability
- An interrupt can be generated when the counter reaches 0 (maskable)

### 2.12. I<sup>2</sup>C Interface

I<sup>2</sup>C (inter-integrated circuit) bus interface connects the microcontroller and the serial I<sup>2</sup>C bus. It provides multimaster capability and controls all I<sup>2</sup>C bus specific sequences, protocols, arbitration and timing. Standard (Sm) and fast (Fm) are supported.

I<sup>2</sup>C Features:

- Slave and master mode
- Multi-host function: can be master or slave
- Support different communication speeds
  - Standard Mode (Sm): Up to 100 kHz
  - Fast Mode (Fm): up to 400 kHz
- As master
  - Generate Clock
  - Generation of Start and Stop
- As slave
  - Programmable I<sup>2</sup>C address detection
  - Discovery of the Stop bit
- 7 bits addressing mode
- General call
- Status flag
  - Transmit/receive mode flags
  - Byte transfer complete flag
  - I<sup>2</sup>C busy flag bit
- Error flag
  - Master arbitration loss
  - ACK failure after address/data transfer
  - Start/Stop error

- Overrun/Underrun (clock stretching function disable)
- Optional Clock Stretching
- Software reset
- Analogue noise filter function

## 2.13. Universal synchronous asynchronous receiver/transmitter (USART)

The Universal Synchronous Asynchronous Transceiver (USART) provides a flexible method for full-duplex data exchange with external devices using the industry-standard NRZ asynchronous serial data format. The USART utilizes a fractional baudrate generator to provide a wide range of baudrate options. It supports simultaneous one-way communication and half-duplex single-wire communication, and it also allows multi-processor communication.

Automatic baudrate detection is supported.

USART features:

- Full-duplex asynchronous communication
- NRZ standard format
- Configurable 16 times or 8 times oversampling for increased flexibility in speed and clock tolerance
- Programmable baudrate shared by transmit and receive, up to 4.5 Mbit/s
- Automatic baudrate detection
- Programmable data length of 8 or 9 bits
- Configurable stop bits (1 bit or 2 bits)
- Synchronous mode and clock output function for synchronous communication
- Single-wire half-duplex communication
- Independent transmit and receive enable bits
- Hardware flow control
- Detection flag
  - Receive full buffer
  - Send empty buffer
  - End of transmission
- Parity Control
  - Send check digit
  - Check the received data
- Flagged interrupt sources
  - CTS change
  - Send empty register

- Send completed
- Receive full data register
- Bus idle detected
- Overflow error
- Frame error
- Noise operation
- Error detection
- Multiprocessor communication
  - If the address does not match, enter silent mode
- Wake-up from silent mode: by idle detection and address flag detection

## 2.14. Serial peripheral interface (SPI)

Serial Peripheral Interface (SPI) allows the chip to communicate with external devices in half-duplex, full-duplex, and simplex synchronous serial communication. This interface can be configured in master mode and provides the communication clock (SCK) for external slave devices. The interface can also work in a multi-master configuration.

The SPI features are as follows:

- Master or slave mode
- 3-wire full-duplex simultaneous transmission
- 2-wire half-duplex synchronous transmission (with bidirectional data line)
- 2-wire simplex synchronous transmission (no bidirectional data line)
- 8 bits or 16 bits transmission frame selection
- Support multi-master mode
- 8 master mode baudrate prescaler factors (Max 12 M)
- Slave mode frequency (Max 3 M)
- Both master and slave modes can be managed by software or hardware NSS: dynamic change of master/slave operating mode
- Programmable clock polarity and phase
- Programmable data order, MSB first or LSB first
- Dedicated transmit and receive flags that can trigger interrupts
- SPI bus busy status flag
- Motorola mode
- Interrupt-causing master mode faults, overloads
- Two 32 bits Rx and Tx FIFOs

## 2.15. SWD

The ARM SWD interface allows serial debugging tools to be connected to the PY32F002B.

### 3. Pin configuration

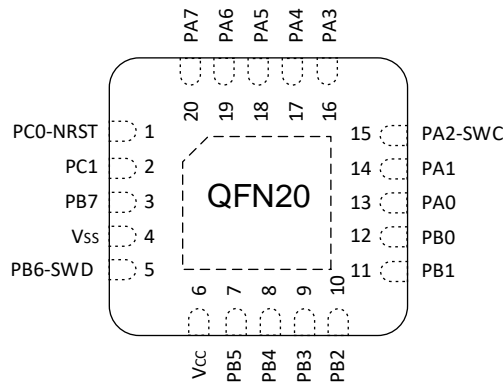


Figure 3-1 QFN20 Pinout1 PY32F002BF15Ux (Top view)

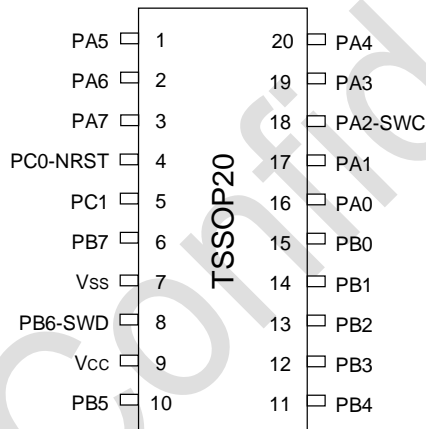


Figure 3-2 TSSOP20 Pinout1 PY32F002BF15Px (Top view)

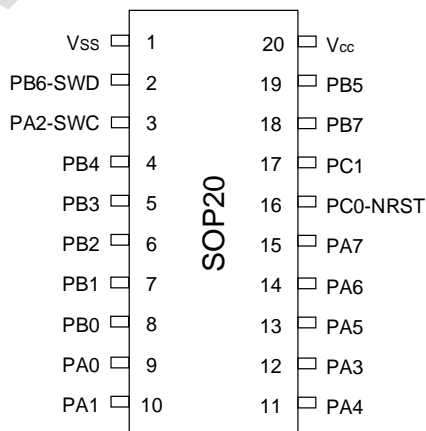


Figure 3-3 SOP20 Pinout1 PY32F002BF15Sx (Top view)

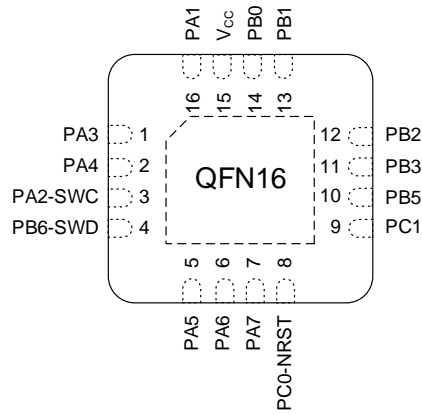


Figure 3-4 QFN16 Pinout1 PY32F002BW15Ux (Top view)

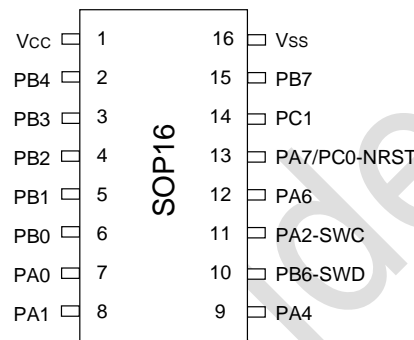


Figure 3-5 SOP16 Pinout1 PY32F002BW15Sx (Top view)

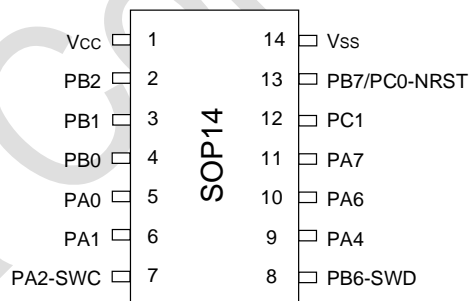


Figure 3-6 SOP14 Pinout1 PY32F002BD15Sx (Top view)



Figure 3-7 SOP8 Pinout1 PY32F002BL15Sx (Top view)

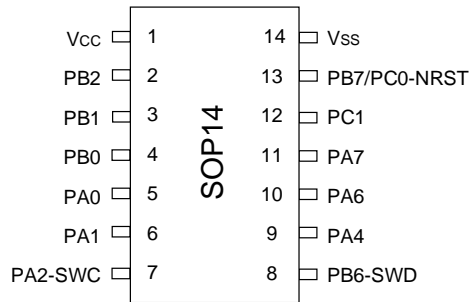


Figure 3-8 SOP14 Pinout1 PY32F002BD15Sx



Figure 3-9 SOP8 Pinout1 PY32F002BL15Sx

Table 3-1 Pin definition terminology and symbols

Type		Symbol	Definition
Port type		S	Supply pin
		G	Ground pin
		I/O	Input/output pin
		NC	Undefined
Port structure		COM	5 V port, with internal input and output function
		RST	-
Notes		-	Unless other specified, all ports are used as analog inputs between and after reset
Port function	Multiplexing function	-	Function selected by GPIOx_AFR register
	Additional features	-	Directly selected or enabled through peripheral registers

Table 3-2 Pin definition

Package type			Reset	Port type	Port structure	Port function	
QFN20 F1	TSSOP20 F1	SOP20 F1				Multiplexing function	Additional features
18	1	13	PA5	I/O	COM	USART_CK TIM1_CH1 TIM14_CH1	
19	2	14	PA6	I/O	COM	SPI_NSS USART_TX EVENTOUT	ADC_IN3 External_clock_in
20	3	15	PA7	I/O	COM	SPI_MOSI USART_TX USART_RX TIM1_CH4 MCO	ADC_IN4
1	4	16	PC0-NRST <sup>(1)</sup> <sup>(3)</sup>	I/O	RST	SWDIO TIM1_CH1N EVENTOUT	NRST ADC_IN5
2	5	17	PC1-OSCIN	I/O	COM	SPI_MISO	OSCIN
3	6	18	PB7-OSCOUT	I/O	COM	SPI_MOSI TIM14_CH1	OSCOUT
4	7	1	V <sub>ss</sub>	S		Ground	
5	8	2	PB6(SWDIO) <sup>(2)</sup>	I/O	COM	SPI_MISO USART_TX I <sup>2</sup> C_SDA SWDIO	ADC_IN6
6	9	20	V <sub>cc</sub>	S		Digital power supply	
7	10	19	PB5	I/O	COM	SPI_NSS USART_RX TIM1_CH3 TIM14_CH1	
8	11	4	PB4	I/O	COM	USART_TX I <sup>2</sup> C_SDA TIM1_BKIN	
9	12	5	PB3	I/O	COM	USART_CK I <sup>2</sup> C_SCL TIM1_ETR	



Package type			Reset	Port type	Port structure	Port function	
QFN20 F1	TSSOP20 F1	SOP20 F1				Multiplexing function	Additional features
						CMP1_OUT	
10	13	6	PB2	I/O	COM	SPI_SCK USART_CTS TIM1_CH1N TIM1_CH3	
11	14	7	PB1	I/O	COM	USART_RTS TIM1_CH2N TIM1_CH4 MCO	ADC_IN0 CMP1_INP CMP1_INM
12	15	8	PB0	I/O	COM	SPI_SCK USART_CK TIM1_CH2 TIM1_CH3N	ADC_IN7 CMP1_INM
13	16	9	PA0	I/O	COM	SPI_MOSI TIM1_CH1	
14	17	10	PA1	I/O	COM	SPI_MISO TIM1_CH2	
15	18	3	PA2(SWCLK) <sup>(2)</sup> <sup>(3)</sup>	I/O	COM	USART_RX I <sup>2</sup> C_SCL SWCLK TIM1_CH4 CMP2_OUT	
16	19	12	PA3	I/O	COM	USART_TX TIM1_CH2	ADC_IN1 CMP2_INP CMP2_INM
17	20	11	PA4	I/O	COM	USART_RX TIM1_CH3 TIM14_CH1	ADC_IN2 CMP2_INM

Table 3-3 QFN16/SOP16/SOP14/SOP8 pin definition

Package type				Reset	Port type	Port structure	Port function	
QFN16 W1	SOP16 W1	SOP14 D1	SOP8 L1				Multiplexing function	Additional features
6	12	10	6	PA6 <sup>(4)</sup>	I/O	COM	SPI_NSS USART_TX EVENTOUT	ADC_IN3 External_clock_in
7	13	11	7	PA7 <sup>(4)</sup>	I/O	COM	SPI_MOSI USART_TX USART_RX TIM1_CH4 MCO	ADC_IN4
8	13	13	6	PC0-NRST <sup>(1) (3)</sup> <sup>(4)</sup>	I/O	RST	SWDIO TIM1_CH1N EVENTOUT	NRST ADC_IN5
9	14	12	7	PC1-OSCIN	I/O	COM	SPI_MISO	OSCIN
-	15	13	-	PB7-OSCOU	I/O	COM	SPI_MOSI TIM14_CH1	OSCOU
-	16	14	8	V <sub>SS</sub>	S		Ground	
4	10	8	5	PB6(SWDIO) <sup>(2)</sup>	I/O	COM	SPI_MISO USART_TX I <sup>2</sup> C_SDA SWDIO	ADC_IN6
15	1	1	1	V <sub>CC</sub>	S		Digital power supply	
10	-	-	-	PB5	I/O	COM	SPI_NSS USART_RX TIM1_CH3 TIM14_CH1	
-	2	-	-	PB4	I/O	COM	USART_TX I <sup>2</sup> C_SDA TIM1_BKIN	
11	3	-	-	PB3	I/O	COM	USART_CK I <sup>2</sup> C_SCL TIM1_ETR CMP1_OUT	
12	4	2	-	PB2	I/O	COM	SPI_SCK USART_CTS	

Package type				Reset	Port type	Port structure	Port function	
QFN16 W1	SOP16 W1	SOP14 D1	SOP8 L1				Multiplexing function	Additional features
							TIM1_CH1N	
							TIM1_CH3	
13	5	3	2	PB1	I/O	COM	USART_RTS TIM1_CH2N TIM1_CH4 MCO	ADC_IN0 CMP1_INM CMP1_INP
14	6	4	3	PB0	I/O	COM	SPI_SCK USART_CK TIM1_CH2 TIM1_CH3N	ADC_IN7 CMP1_INM
-	7	5	-	PA0	I/O	COM	SPI_MOSI TIM1_CH1	
16	8	6	-	PA1	I/O	COM	SPI_MISO TIM1_CH2	
3	11	7	4	PA2(SWCLK) <sup>(2)</sup> <sup>(3)</sup>	I/O	COM	USART_RX I <sup>2</sup> C_SCL SWCLK TIM1_CH4 CMP2_OUT	
1	-	-	-	PA3	I/O	COM	USART_TX TIM1_CH2	ADC_IN1 CMP2_INP CMP2_INM
2	9	9	-	PA4	I/O	COM	USART_RX TIM1_CH3 TIM14_CH1	ADC_IN2 CMP2_INM
5	-	-	-	PA5	I/O	COM	USART_CK TIM1_CH1 TIM14_CH1	

1. Selecting PC0 or NRST/SWDIO is configured through option bytes.
2. After reset (when option byte configures 0/0,0/1,1/0), the two pins of PB6 and PA2 are configured as SWDIO and SWCLK AF function, the former internal pull-up resistor, the latter pull-down resistor is activated.

3. After reset (when option byte configures 1/1), the two pins of PC0 and PA2 are configured as SWDIO and SWCLK AF function, the former internal pull-up resistor, the latter pull-down resistor is activated.
4. Both IO ports lead out on the same pin, only either IO port can be used at the same time, and the other IO must be configured in analog mode (MODEy[1:0] is 0B11).

Puya Confidential

### 3.1. Port A multiplexing function mapping

Table 3-4 Port multiplexing function mapping

Port	AF0	AF1	AF2	AF3	AF4	AF5	AF6	AF7
PA0	SPI_MOSI	-	TIM1_CH1	-	-	-	-	-
PA1	SPI_MISO	-	TIM1_CH2	-	-	-	-	-
PA2	SWC	USART_RX	TIM1_CH4	-	CMP2_OUT	-	I <sup>2</sup> C_SCL	-
PA3	-	USART_TX	TIM1_CH2	-	-	-	-	-
PA4	-	USART_RX	TIM1_CH3	-	-	TIM14_CH1	-	-
PA5	-	USART_CK	TIM1_CH1	-	-	TIM14_CH1	-	-
PA6	SPI_NSS	USART_TX	-	-	-	-	-	EVENTOUT
PA7	SPI_MOSI	USART_TX	TIM1_CH4	USART_RX	MCO	-	-	-

### 3.2. Port B multiplexing function mapping

Table 3-5 Port B multiplexing function mapping

Port	AF0	AF1	AF2	AF3	AF4	AF5	AF6	AF7
PB0	SPI_SCK	USART_CK	TIM1_CH2	TIM1_CH3N	-	-	-	-
PB1	-	USART_RTS	TIM1_CH2N	TIM1_CH4	MCO	-	-	-
PB2	SPI_SCK	USART_CTS	TIM1_CH1N	TIM1_CH3	-	-	-	-
PB3	-	USART_CK	TIM1_ETR	-	CMP1_OUT	-	I <sup>2</sup> C_SCL	-
PB4	-	USART_TX	TIM1_BKIN	-	-	-	I <sup>2</sup> C_SDA	-
PB5	SPI_NSS	USART_RX	TIM1_CH3	-	-	TIM14_CH1	-	-
PB6	SWD	USART_TX	SPI_MISO	-	-	-	I <sup>2</sup> C_SDA	-
PB7	SPI_MOSI	-	-	-	-	TIM14_CH1	-	-

### 3.3. Port C multiplexing function mapping

Table 3-6 multiplexing function mapping

Port	AF0	AF1	AF2	AF3	AF4	AF5	AF6	AF7
PC0	SWD	-	TIM1_CH1N	-	-	-	-	EVENTOUT
PC1	SPI_MISO	-	-	-	-	-	-	-

# 4. Memory map

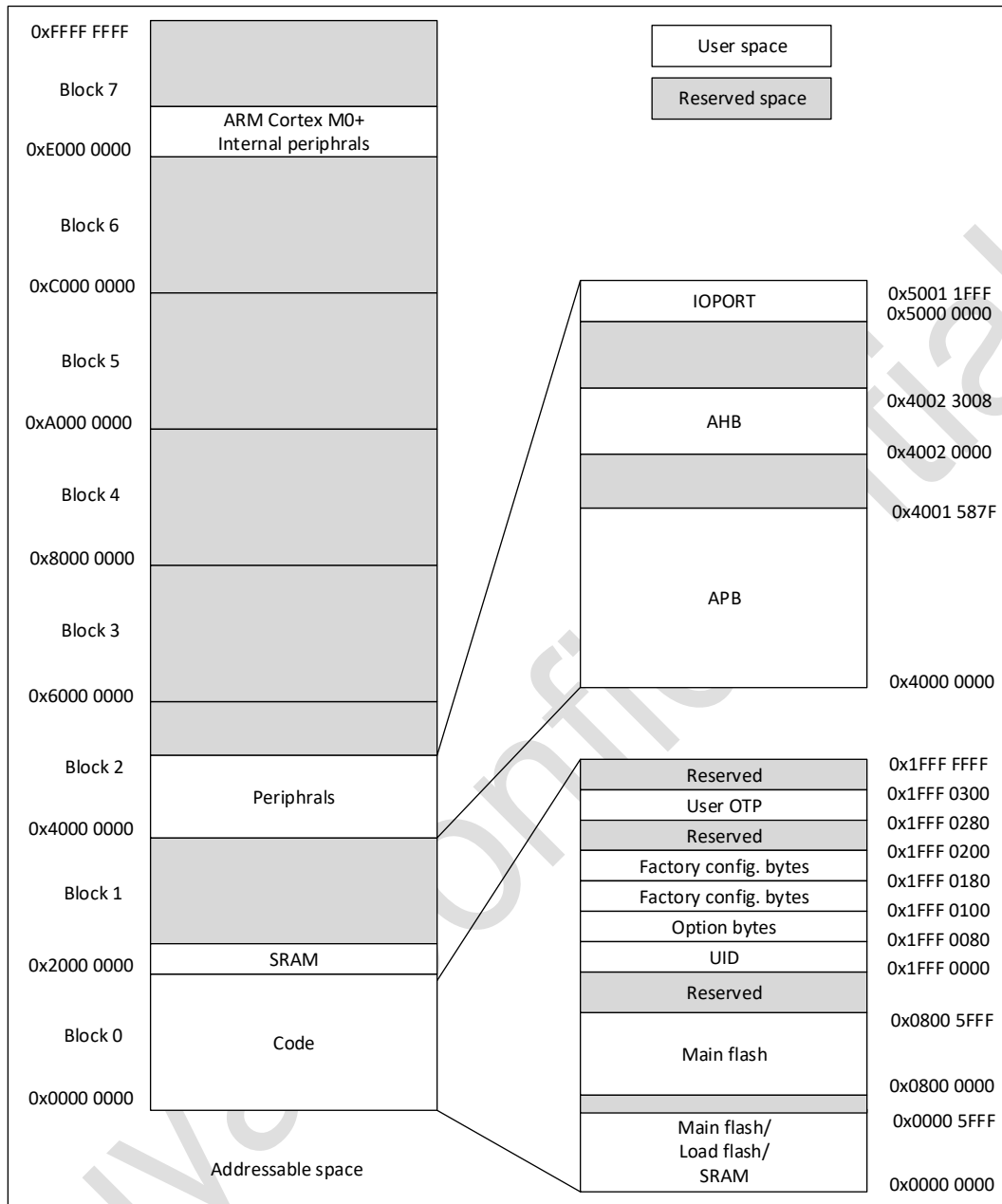


Figure 4-1 Memory map

Table 4-1 Memory address

Type	Boundary Address	Size	Memory Area
SRAM	0x2000 C000-0x3FFF FFFF	-	Reserved
	0x2000 0000-0x2000 0BFF	3 KB	SRAM
Code	0x1FFF 0300-0x1FFF FFFF	-	Reserved
	0x1FFF 0280-0x1FFF 02FF	128 Bytes	USER OTP memory
	0x1FFF 0180-0x1FFF 01FF	128 Bytes	Factory Configuration bytes
	0x1FFF 0100-0x1FFF 017F	128 Bytes	Factory Configuration bytes
	0x1FFF 0080-0x1FFF 00FF	128 Bytes	Option bytes
	0x1FFF 0000-0x1FFF 007F	128 Bytes	UID
	0x0800 6000-0x1FFE FFFF	-	Reserved
	0x0800 0000-0x0800 5FFF	24 KB	Main flash memory
	0x0000 6000-0x07FF FFFF	-	Reserved
	0x0000 0000-0x0000 5FFF	24 KB	Select based on Boot configuration: 1) Main flash memory 2) Load flash 3) SRAM

Table 4-2 Peripheral register address

Bus	Boundary Address	Size	Peripheral
	0xE000 0000-0xE00F FFFF	-	M0+
IOPORT	0x5000 0C00-0x5FFF FFFF	-	Reserved
	0x5000 0800-0x5000 0BFF	1 KB	GPIOC
	0x5000 0400-0x5000 07FF	1 KB	GPIOB
	0x5000 0000-0x5000 03FF	1 KB	GPIOA
AHB	0x4002 3400-0x4FFF FFFF	-	Reserved
	0x4002 300C-0x4002 33FF	1 KB	Reserved
	0x4002 3000-0x4002 3008		CRC
	0x4002 2400-0x4002 2FFF	-	Reserved
	0x4002 2000-0x4002 23FF	1 KB	Flash
	0x4002 1C00-0x4002 1FFF	-	Reserved
	0x4002 1900-0x4002 1BFF	1 KB	Reserved
	0x4002 1800-0x4002 18FF		EXTI
	0x4002 1400-0x4002 17FF	-	Reserved
	0x4002 1080-0x4002 13FF	1 KB	Reserved
	0x4002 1000-0x4002 107F		RCC
	0x4002 0000-0x4002 0FFF	-	Reserved

Bus	Boundary Address	Size	Peripheral
APB	0x4001 5C00-0x4001 FFFF	-	Reserved
	0x4001 5880-0x4001 5BFF	1 KB	Reserved
	0x4001 5800-0x4001 587F		DBG
	0x4001 3C00-0x4001 57FF	-	Reserved
	0x4001 381C-0x4001 3BFF	1 KB	Reserved
	0x4001 3800-0x4001 3018		USART1
	0x4001 3400-0x4001 37FF	-	Reserved
	0x4001 3010-0x4001 33FF	1 KB	Reserved
	0x4001 3000-0x4001 300C		SPI1
	0x4001 2C50-0x4001 2FFF	1 KB	Reserved
	0x4001 2C00-0x4001 2C4C		TIM1
	0x4001 2800-0x4001 2BFF	-	Reserved
	0x4001 270C-0x4001 27FF	1 KB	Reserved
	0x4001 2400-0x4001 2708		ADC
	0x4001 0400-0x4001 23FF	-	Reserved
	0x4001 0220-0x4001 03FF	1 KB	Reserved
	0x4001 0200-0x4001 021F		COMP1/2
	0x4001 0000-0x4001 01FF		SYSCFG
	0x4000 8000-0x4000 FFFF	-	Reserved
	0x4000 7C28-0x4000 7FFF	1 KB	Reserved
	0x4000 7C00-0x4000 7C24		LPTIM
	0x4000 7400-0x4000 7BFF	-	Reserved
	0x4000 7018-0x4000 73FF	1 KB	Reserved
	0x4000 7000-0x4000 7014		PWR
	0x4000 5800-0x4000 6FFF	-	Reserved
	0x4000 5434-0x4000 57FF	1 KB	Reserved
	0x4000 5400-0x4000 5430		I <sup>2</sup> C
	0x4000 3400-0x4000 53FF	-	Reserved
	0x4000 3014-0x4000 33FF	1 KB	Reserved
	0x4000 3000-0x4000 0010		IWDG
	0x4000 2400-0x4000 2FFF	-	Reserved
	0x4000 2054-0x4000 23FF	1 KB	Reserved
	0x4000 2000-0x4000 0050		TIM14
	0x4000 0000-0x4000 1FFF	-	Reserved



## 5. Electrical characteristics

### 5.1. Test conditions

All voltage is referenced to  $V_{SS}$  unless otherwise specified.

#### 5.1.1. Min and Max

Unless otherwise specified, the chip is screened by mass production testing at ambient temperature  $T_A = 25\text{ }^\circ\text{C}$  and  $T_A = T_A(\text{max})$ , guaranteed to reach the minimum value and maximum value under the worst ambient temperature, supply voltage and clock frequency conditions.

Based on electrical characterization results, design simulations, and/or process parameters noted below the table, not tested in production. Minimum and maximum values are referenced to sample testing and averaged plus or minus three times the standard deviation.

#### 5.1.2. Typical value

Unless otherwise specified, typical data is based on  $T_A = 25\text{ }^\circ\text{C}$  and  $V_{CC} = 3.3\text{ V}$ . These data are for design guidance only and have not been tested.

Typical ADC accuracy values are obtained by sampling a standard batch, tested under all temperature ranges, and 95% of the chip error is less than or equal to the given value.

### 5.2. Absolute maximum ratings

If the applied voltage exceeds the absolute maximum value given in the table below, it may cause permanent damage to the chip. Only the strength ratings that can be tolerated are listed here, and it does not imply that the functional operation of the device is correct under these conditions. Operating under maximum conditions for a long time may affect the reliability of the chip.

Table 5-1 Voltage characteristics<sup>(1)</sup>

Symbol	Description	Minimum	Maximum	Unit
$V_{CC}$	External mains power supply	-0.3	6.25	V
$V_{IN}$	Input voltage of other pins	-0.3	$V_{CC}+0.3$	V

1. Power supply  $V_{CC}$  and ground  $V_{SS}$  pins must always be connected to the external power supply within the allowable range.

Table 5-2 Current characteristics

Symbol	Description	Maximum	Unit
$I_{VCC}$	Total current flowing into $V_{CC}$ pin (supply current) <sup>(1)</sup>	80	mA
$I_{VSS}$	Total current flowing out of $V_{SS}$ pin (outflow current) <sup>(1)</sup>	80	mA
$I_{IO(PIN)}$	Output current sunk by any I/O and control pin	20	mA

Symbol	Description	Maximum	Unit
	Output current source by any I/Os and control pin	-20	

- Power supply  $V_{CC}$  and ground  $V_{SS}$  pins must always be connected to the external power supply within the allowable range.

Table 5-3 Temperature characteristics

Symbol	Description	Condition	Value	Unit
$T_{STG}$	Storage temperature range	-	-65 ~ +150	°C
$T_O$	Range of working temperature	X6 version	-40 ~ +85	°C
		X7 version	-40 ~ +105	

### 5.3. Operating conditions

#### 5.3.1. General operating conditions

Table 5-4 General operating conditions

Symbol	Parameter	Condition	Minimum	Maximum	Unit
$f_{HCLK}$	Internal AHB clock frequency	-	0	24	MHz
$f_{PCLK}$	Internal APB clock frequency	-	0	24	MHz
$V_{CC}$	Standard working voltage	-	1.7	5.5	V
$V_{IN}$	IO input voltage	-	-0.3	$V_{CC} + 0.3$	V
$T_A$	Ambient temperature	X6 version	-40	85	°C
		X7 version	-40	105	
$T_J$	Junction temperature	X6 version	-40	90	°C
		X7 version	-40	110	

#### 5.3.2. Power on and down operating conditions

Table 5-5 Power on and Power down operation conditions

Symbol	Parameter	Condition	Minimum	Maximum	Unit
$t_{VCC}$	$V_{CC}$ rise rate	-	0	$\infty$	$\mu\text{s/V}$
	$V_{CC}$ fall rate	-	20	$\infty$	

#### 5.3.3. Embedded reset module features

Table 5-6 Embedded Reset Module Features

Symbol	Parameter	Condition	Minimum	Typical	Maximum	Unit
$t_{RSTEMPO}^{(1)}$	Reset Time	-	-	4.0	7.5	ms
$V_{POR/PDR}$	POR/PDR reset threshold	Rising edge	1.5 <sup>(2)</sup>	1.6	1.7	V
		Falling edge	1.45	1.55	1.65 <sup>(2)</sup>	

Symbol	Parameter	Condition	Minimum	Typical	Maximum	Unit
$V_{PDRhyst}^{(1)}$	PDR hysteresis	-	-	50	-	mV
$V_{BOR}$	BOR threshold voltage	BOR_LEV[2:0]=000 (Rising edge)	1.7 <sup>(2)</sup>	1.8	1.9	V
		BOR_LEV[2:0]=000 (Falling edge)	1.6	1.7	1.8 <sup>(2)</sup>	
		BOR_LEV[2:0]=001 (Rising edge)	1.9 <sup>(2)</sup>	2	2.1	
		BOR_LEV[2:0]=001 (Falling edge)	1.8	1.9	2 <sup>(2)</sup>	
		BOR_LEV[2:0]=010 (Rising edge)	2.1 <sup>(2)</sup>	2.2	2.3	
		BOR_LEV[2:0]=010 (Falling edge)	2	2.1	2.2 <sup>(2)</sup>	
		BOR_LEV[2:0]=011 (Rising edge)	2.3 <sup>(2)</sup>	2.4	2.5	
		BOR_LEV[2:0]=011 (Falling edge)	2.2	2.3	2.4 <sup>(2)</sup>	
		BOR_LEV[2:0]=100 (Rising edge)	2.5 <sup>(2)</sup>	2.6	2.7	
		BOR_LEV[2:0]=100 (Falling edge)	2.4	2.5	2.6 <sup>(2)</sup>	
		BOR_LEV[2:0]=101 (Rising edge)	2.7 <sup>(2)</sup>	2.8	2.9	
		BOR_LEV[2:0]=101 (Falling edge)	2.6	2.7	2.8 <sup>(2)</sup>	
		BOR_LEV[2:0]=110 (Rising edge)	2.9 <sup>(2)</sup>	3	3.1	
		BOR_LEV[2:0]=110 (Falling edge)	2.8	2.9	3 <sup>(2)</sup>	
		BOR_LEV[2:0]=111 (Rising edge)	3.1 <sup>(2)</sup>	3.2	3.3	
BOR_LEV[2:0]=111 (Falling edge)	3	3.1	3.2 <sup>(2)</sup>			
$V_{BOR\_hyst}$	BOR hysteresis	-	-	100	-	mV

1. Guaranteed by design, not tested in production.
2. Data is based on assessment results and is not tested in production.

### 5.3.4. Operating current characteristics

Table 5-7 Run mode current

Symbol	Condition						Typical <sup>(1)</sup>	Maximum	Unit
	System clock	Frequency	Code	Run	Peripheral clock	FLASH sleep			
$I_{cc(run)}$	HSI	24 MHz	While <sup>(1)</sup>	Flash	ON	DISABLE	1.10	-	mA
					OFF	DISABLE	0.90	-	
	LSI	32.768 kHz			ON	DISABLE	160	-	$\mu$ A
					OFF	DISABLE	160	-	
		32.768 kHz			ON	ENABLE	108	-	
					OFF	ENABLE	108	-	

1. Data is based on assessment results and is not tested in production.

Table 5-8 Sleep mode current

Symbol	Condition				Typical (1)	Maximum	Unit
	System clock	Frequency	Peripheral clock	Flash sleep			
I <sub>cc(sleep)</sub>	HSI	24 MHz	ON	DISABLE	0.80	-	mA
			OFF	DISABLE	0.50	-	
	LSI	32.768 kHz	ON	DISABLE	159.3	-	μA
			OFF	DISABLE	158.9	-	
		32.768 kHz	ON	ENABLE	85.3	-	
			OFF	ENABLE	84.8	-	

1. Data is based on assessment results and is not tested in production.

Table 5-9 Stop mode current

Symbol	Condition				Typical (1)	Maximum	Unit
	V <sub>CC</sub>	MR/LPR	LSI	Peripheral clock			
I <sub>cc(stop)</sub>	1.7 ~ 5.5 V	MR	-	-	75.3	-	μA
		LPR	ON	IWDG+LPTIM	1.70	-	
				IWDG	1.70	-	
				LPTIM	1.70	-	
		OFF	No	1.50	-		

1. Data is based on assessment results and is not tested in production.

### 5.3.5. Low power mode wake-up time

Table 5-10 Low power mode wake-up time

Symbol	Parameters <sup>(1)</sup>		Condition	Typical <sup>(2)</sup>	Maximum	unit
t <sub>WUSLEEP</sub>	Wake-up time from sleep		-	0.6	-	μs
t <sub>WUSTOP</sub>	Wake-up time from stop	Powered by MR	Execute program in Flash, HSI(24 Mhz)as system clock	6.4	-	
		Powered by LPR	Execute program in Flash, HIS as system clock(24 M)	10.6	-	

1. The wake-up time is measured from the wake-up time until the first instruction is read by the user program.

2. Data is based on assessment results and is not tested in production.

### 5.3.6. External clock source characteristics

#### 5.3.6.1. External high-speed clock

In the bypass mode of HSE (the HSEBYP of RCC\_CR is set), when the high-speed start-up circuit in

the chip stops working, the corresponding IO is used as a standard GPIO.

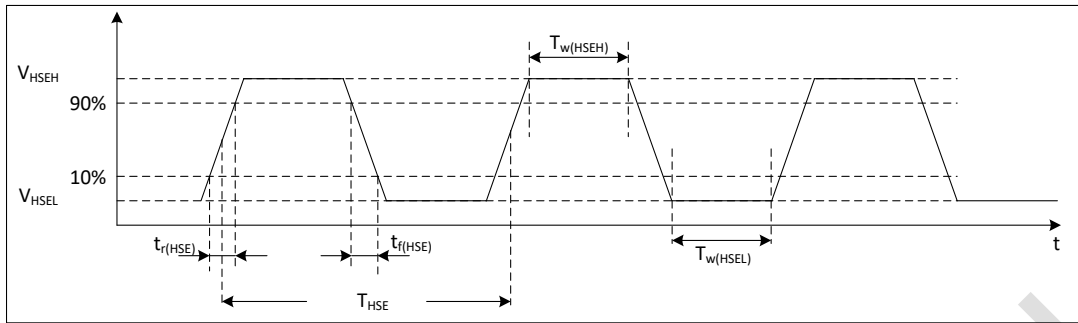


Figure 5-1 External high-speed clock timing diagram

Table 5-11 External high-speed clock features

Symbol	Parameters <sup>(1)</sup>	Minimum	Typical	Maximum	Unit
$f_{HSE\_ext}$	User external clock frequency	1	8	32	MHz
$V_{HSEH}$	Input pin high level voltage	$0.7 V_{CC}$	-	$V_{CC}$	V
$V_{HSEL}$	Input pin low level voltage	$V_{SS}$	-	$0.3 V_{CC}$	
$t_{w(HSEH)}$ $t_{w(HSEL)}$	Enter high or low time	15	-	-	ns
$t_{r(HSE)}$ $t_{f(HSE)}$	Enter the rise/fall time	-	-	20	ns

1. Guaranteed by design, not tested in production.

### 5.3.6.2. External low-speed clock

In the bypass mode of LSE (the LSEBYP of RCC\_BDCR is set), when the low-speed start-up circuit in the chip stops working, the corresponding IO is used as a standard GPIO.

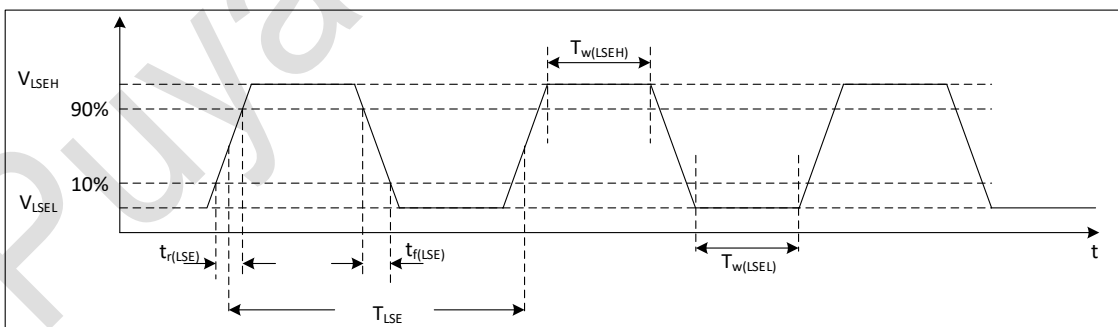


Figure 5-2 External low-speed clock timing diagram

Table 5-12 External low-speed clock features

Symbol	Parameters <sup>(1)</sup>	Minimum	Typical	Maximum	Unit
$f_{LSE\_ext}$	User external clock frequency	-	32.768	1000	kHz
$V_{LSEH}$	Input pin high level voltage	$0.7 * V_{CC}$	-	-	V

Symbol	Parameters <sup>(1)</sup>	Minimum	Typical	Maximum	Unit
V <sub>LSEL</sub>	Input pin low level voltage	-	-	0.3 * V <sub>CC</sub>	V
t <sub>w(LSEH)</sub> t <sub>w(LSEL)</sub>	Enter high or low time	450	-	-	ns
t <sub>r(LSE)</sub> t <sub>f(LSE)</sub>	Enter the rise or fall time	-	-	50	ns

1. Guaranteed by design, not tested in production.

### 5.3.6.3. External low-speed crystal

An external 32.768 KHz crystal/ceramic resonator. In the application, the crystal and load capacitors should be as close as possible to the pins to minimize output distortion and start-up settling time.

Table 5-13 External low-speed crystal characteristics

Symbol	Parameter	Condition <sup>(1)</sup>	Minimum	Typical	Maximum	Unit
I <sub>CC</sub> <sup>(4)</sup>	LSE power consumption	LSE_DRIVER [1:0] = 00	-	100	-	nA
		LSE_DRIVER [1:0] = 01	-	700	-	
		LSE_DRIVER [1:0] = 10	-	1200	-	
		LSE_DRIVER [1:0] = 11	-	1600	-	
t <sub>SU(LSE)</sub> <sup>(3) (4)</sup>	Start Time	-	-	3	-	s

1. Crystal/ceramic resonator characteristics are based on the manufacturer datasheet.
2. Guaranteed by design, not tested in production.
3. t<sub>SU(LSE)</sub> is the start-up time from enable (by software) to the clock oscillation reaches stability, measured for a standard crystal/resonator, which can vary greatly from one crystal/resonator to another.
4. Data is based on assessment results and is not tested in production.

### 5.3.7. Internal high frequency clock source HSI characteristics

Table 5-14 Internal high frequency clock source characteristics

Symbol	Parameter	Condition	Minimum	Typical	Maximum	Unit
f <sub>HSI</sub>	HSI frequency	T <sub>A</sub> = 25°C, V <sub>CC</sub> = 3.3 V	23.83 <sup>(2)</sup>	24	24.17 <sup>(2)</sup>	MHz
Δ <sub>Temp(HSI)</sub>	HSI frequency temperature drift 24 MHz	V <sub>CC</sub> = 2.0 ~ 5.5 V T <sub>A</sub> = -40 ~ 85 °C	-2 <sup>(2)</sup>	-	2 <sup>(2)</sup>	%
		V <sub>CC</sub> = 1.7 ~ 5.5 V T <sub>A</sub> = 0 ~ 85°C	-2 <sup>(2)</sup>	-	2 <sup>(2)</sup>	
		V <sub>CC</sub> = 1.7 ~ 5.5 V T <sub>A</sub> = -40 ~ 85 °C	-4 <sup>(2)</sup>	-	2 <sup>(2)</sup>	
		V <sub>CC</sub> = 2.0 ~ 5.5 V T <sub>A</sub> = -40 ~ 105 °C	-2 <sup>(2)</sup>	-	2.5 <sup>(2)</sup>	

Symbol	Parameter	Condition	Minimum	Typical	Maximum	Unit
		$V_{CC} = 1.7 \sim 5.5 \text{ V}$ $T_A = 0 \sim 105 \text{ }^\circ\text{C}$	-2 <sup>(2)</sup>	-	2.5 <sup>(2)</sup>	
		$V_{CC} = 1.7 \sim 5.5 \text{ V}$ $T_A = -40 \sim 105 \text{ }^\circ\text{C}$	-4 <sup>(2)</sup>	-	2.5 <sup>(2)</sup>	
$f_{TRIM}^{(1)}$	HSI fine-tuning accuracy	-	-	0.1	-	%
$D_{HSI}^{(1)}$	Duty cycle	-	45	-	55	%
$t_{Stab(HSI)}$	HSI stabilization time	-	-	2	4 <sup>(1)</sup>	$\mu\text{s}$
$I_{CC(HSI)}^{(2)}$	HSI power consumption	24 MHz	-	193	-	$\mu\text{A}$

1. Guaranteed by design, not tested in production.
2. Data is based on assessment results and is not tested in production.

### 5.3.8. Internal low frequency clock source LSI characteristics

Table 5-15 Internal low frequency clock characteristics

Symbol	Parameter	Condition	Minimum	Typical	Maximum	Unit
$f_{LSI}$	LSI frequency	$T_A = 25 \text{ }^\circ\text{C}, V_{CC} = 3.3 \text{ V}$	31.6	-	33.6	KHz
$\Delta_{Temp(LSI)}$	LSI frequency temperature drift	$V_{CC} = 1.7 \sim 5.5 \text{ V}$ $T_A = 0 \sim 105 \text{ }^\circ\text{C}$	-10 <sup>(2)</sup>	-	10 <sup>(2)</sup>	%
		$V_{CC} = 1.7 \sim 5.5 \text{ V}$ $T_A = -40 \sim 105 \text{ }^\circ\text{C}$	-20 <sup>(2)</sup>	-	20 <sup>(2)</sup>	
$f_{TRIM}^{(1)}$	LSI fine-tuning accuracy	-	-	0.2	-	%
$t_{Stab(LSI)}^{(1)}$	LSI stabilization time	-	-	150	-	$\mu\text{s}$
$I_{CC(LSI)}^{(1)}$	LSI power consumption	-	-	210	-	nA

1. Guaranteed by design, not tested in production.
2. Data is based on assessment results and is not tested in production.

### 5.3.9. Memory characteristics

Table 5-16 Memory characteristics

Symbol	Parameter	Condition	Typical	Maximum <sup>(1)</sup>	Unit
$t_{prog}$	Page program	-	1.0	1.5	ms
$t_{ERASE}$	Page/sector/mass erase	-	3.5	5.0	ms
$I_{CC}$	Page program	-	2.1	2.9	mA
	Page/sector/mass erase	-	2.1	2.9	

1. Guaranteed by design, not tested in production.

Table 5-17 Memory erase times and date retention

Symbol	Parameter	Condition	Minimum <sup>(1)</sup>	Unit
N <sub>END</sub>	Erase and write time	T <sub>A</sub> = -40 ~ 85 °C	100	Kcycle
		T <sub>A</sub> = 85 ~ 105 °C	10	
t <sub>RET</sub>	Date retention period	10 Kcycle T <sub>A</sub> = 55 °C	20	Year
		1 Kcycle T <sub>A</sub> = 55 °C (-40 ~ 105 °C)		

1. Data is based on assessment results and is not tested in production.

### 5.3.10. EFT characteristics

Table 5-18 EFT characteristics

Symbol	Parameter	Condition	Grade	Typical	Unit
EFT to Power	-	IEC61000-4-4	A	4	KV

### 5.3.11. ESD & LU characteristics

Table 5-19 ESD &amp; LU characteristics

Symbol	Parameter	Condition	Typical	Unit
V <sub>ESD(HBM)</sub>	Static Discharge Voltage(human body model)	ESDA/JEDEC JS-001-2017	6	kV
V <sub>ESD(CDM)</sub>	Static Discharge Voltage(charging equipment model)	ESDA/JEDEC JS-002-2018	1	kV
V <sub>ESD(MM)</sub>	Static discharge voltage(machine model)	JESD22-A115C	200	V
LU	Static Latch-Up	JESD78E	200	mA

### 5.3.12. Port characteristics

Table 5-20 IO static characteristics

Symbol	Parameter	Condition	Minimum	Typical	Maximum	Unit
V <sub>IH</sub>	Input high level voltage	V <sub>CC</sub> = 1.7 ~ 5.5 V	0.7 * V <sub>CC</sub>	-	-	V
V <sub>IL</sub>	Input low level voltage	V <sub>CC</sub> = 1.7 ~ 5.5 V	-	-	0.3 * V <sub>CC</sub>	V
V <sub>hys</sub> <sup>(1)</sup>	Schmitt hysteresis voltage	-	-	200	-	mV
I <sub>lkg</sub>	Input leakage current	-	-	-	1	μA
R <sub>PU</sub>	Pull-up resistor	-	30	50	70	kΩ
R <sub>PD</sub>	Pull-down resistor	-	30	50	70	kΩ
C <sub>IO</sub> <sup>(1)</sup>	Pin capacitance	-	-	5	-	pF

1. Guaranteed by design, not tested in production.

Table 5-21 Output Voltage Characteristics

Symbol	Parameter <sup>(1)</sup>	Condition <sup>(2)</sup>	Minimum	Maximum	Unit
V <sub>OL</sub> <sup>(2)</sup>	COM IO output low level	I <sub>OL</sub> = 20 mA, V <sub>CC</sub> ≥ 5.0 V	-	0.4	V



Symbol	Parameter <sup>(1)</sup>	Condition <sup>(2)</sup>	Minimum	Maximum	Unit
		$I_{OL} = 8 \text{ mA}, V_{CC} \geq 2.7 \text{ V}$	-	0.4	
		$I_{OL} = 4 \text{ mA}, V_{CC} = 1.8 \text{ V}$	-	0.5	
$V_{OH}^{(2)}$	COM IO output high level	$I_{OH} = 18 \text{ mA}, V_{CC} \geq 5.0 \text{ V}$	$V_{CC}-0.6$	-	V
		$I_{OH} = 8 \text{ mA}, V_{CC} \geq 2.7 \text{ V}$	$V_{CC}-0.4$	-	
		$I_{OH} = 4 \text{ mA}, V_{CC} = 1.8 \text{ V}$	$V_{CC}-0.5$	-	

- IO types can refer to the terms and symbols defined by the pins.
- GPIOX\_OSPEEDR=11.
- Guaranteed by design, not tested in production.

### 5.3.13. NRST pin characteristics

Table 5-22 NRST pin characteristics

Symbol	Parameter	Condition	Minimum	Typical	Maximum	Unit
$V_{IH}$	Input high level voltage	$V_{CC} = 1.7 \sim 5.5 \text{ V}$	$0.7 * V_{CC}$	-	-	V
$V_{IL}$	Input low level voltage	$V_{CC} = 1.7 \sim 5.5 \text{ V}$	-	-	$0.2 * V_{CC}$	V
$V_{hys}^{(1)}$	Schmitt hysteresis voltage	-	-	300	-	mV
$I_{lkg}$	Input leakage current	-	-	-	1	$\mu\text{A}$
$R_{PU}^{(1)}$	Pull-up resistor	-	30	50	70	k $\Omega$
$R_{PD}^{(1)}$	Pull-down resistor	-	30	50	70	k $\Omega$
$C_{IO}$	Pin capacitance	-	-	5	-	pF

- Guaranteed by design, not tested in production.

### 5.3.14. ADC characteristics

Table 5-23 ADC characteristics

Symbol	Parameter	Condition	Minimum	Typical	Maximum	Unit
$V_{CC}$	Power supply	-	1.8	-	5.5	V
$I_{CC}$	Power consumption	@0.75 MSPS	-	300	-	$\mu\text{A}$
$C_{IN}^{(1)}$	Internal sample and hold capacitors	-	-	5	-	pF
$f_{ADC}$	Convert clock frequency	$V_{REF+} = V_{CC} = 1.8 \sim 2.0 \text{ V}$	0.8	3	6 <sup>(2)</sup>	MHz
		$V_{REF+} = V_{CC} = 2.0 \sim 5.5 \text{ V}$	0.8	6	12 <sup>(2)</sup>	
		$V_{REF+} = V_{REFBUF}$	0.375	-	0.75	
$t_{smp}^{(1)}$	Sampling time	$f_{ADC}=8 \text{ MHz}$	0.438	-	29.94	$\mu\text{s}$
		$V_{CC} = 1.8 \sim 2.0 \text{ V}$	3.5	-	239.5	$1/f_{ADC}$
		$f_{ADC}=12 \text{ MHz}$	0.292	-	19.96	$\mu\text{s}$
		$V_{CC} = 2.0 \sim 5.5 \text{ V}$	3.5	-	239.5	$1/f_{ADC}$
$t_{smp\_setup}^{(1)}$	Sampling setup time of $V_{REFINT}$	$V_{REF+} = V_{CC} = 2.3 \sim 5.5 \text{ V}$	15	-	-	$\mu\text{s}$

Symbol	Parameter	Condition	Minimum	Typical	Maximum	Unit
$t_{conv}^{(1)}$	Total conversion time	-	-	12	-	$1/f_{ADC}$
$t_{eoc}^{(1)}$	Conversion end time	-	-	0.5	-	$1/f_{ADC}$
DNL <sup>(2)</sup>	Differential linearity error	-	-	$\pm 2$	-	LSB
INL <sup>(2)</sup>	Integral linearity error	-	-	$\pm 3$	-	LSB
Offset <sup>(2)</sup>	Offset error	-	-	$\pm 2$	-	LSB

1. Guaranteed by design, not tested in production.
2. Data is based on assessment results and is not tested in production.

### 5.3.15. Comparator characteristics

Table 5-24 Comparator features<sup>(1)</sup>

Symbol	Parameter	Condition	Minimum	Typical	Maximum	Unit
$V_{IN}$	Input voltage range	-	0	-	$V_{CC}-1.5$	V
$t_{START}$	Startup time	-	-	-	5	$\mu s$
$t_D$	Propagation delay	Output low to high	-	-	200	ns
		Output high to low	-	-	150	
$V_{offset}$	Offset error	-	-	$\pm 5$	-	mV
$V_{hys}$	Hysteresis	No hysteresis	-	0	-	mV
$I_{CC}$	Consumption	-	-	70	-	$\mu A$

1. Guaranteed by design, not tested in production.

### 5.3.16. Temperature sensor characteristics

Table 5-25 Temperature sensor characteristics

Symbol	Parameter	Minimum	Typical	Maximum	Unit
$T_L^{(1)}$	$V_{TS}$ linearity with temperature	-	$\pm 1$	$\pm 2$	$^{\circ}C$
Avg_Slope <sup>(1)</sup>	Average slope	2.3	2.5	2.7	mV/ $^{\circ}C$
$V_{30}$	Voltage at 30 $^{\circ}C$ ( $\pm 5^{\circ}C$ )	0.74	0.76	0.78	V
$t_{START}^{(1)}$	Start-up time entering in continuous mode	-	70	120	$\mu s$
$t_{smp\_setup}^{(1)}$	ADC sampling time when reading the temperature	15	-	-	$\mu s$

1. Guaranteed by design, not tested in production.
2. Data is based on assessment results and is not tested in production.

### 5.3.17. Internal reference voltage characteristics

Table 5-26 Internal reference voltage characteristics ( $V_{REFINT}$ ) <sup>(1)</sup>

Symbol	Parameter	Minimum	Typical	Maximum	Unit
$V_{REFINT}$	Internal reference voltage	1.17	1.2	1.23	V
$t_{start\_VREFINT}$	Start time of $V_{REFINT}$	-	10	15	$\mu$ s
$T_{coeff}$	Temperature coefficient of $V_{REFINT}$	-	-	100 <sup>(1)</sup>	ppm/ $^{\circ}$ C
$I_{VCC}$	Current consumption from $V_{CC}$	-	12	20	$\mu$ A

1. Guaranteed by design, not tested in production.

### 5.3.18. ADC internal reference voltage characteristics

Table 5-27 Internal reference voltage characteristics ( $V_{REFBUF}$ ) <sup>(1)</sup>

Symbol	Parameter	Condition	Minimum	Typical	Maximum	Unit
$V_{REF25}$	Internal 2.5 V reference voltage	$T_A = 25\text{ }^{\circ}\text{C}, V_{CC} = 3.3\text{ V}$	2.425	2.5 <sup>(2)</sup>	2.575	V
$V_{REF20}$	Internal 2.048 V reference voltage	$T_A = 25\text{ }^{\circ}\text{C}, V_{CC} = 3.3\text{ V}$	1.988	2.048 <sup>(2)</sup>	2.108	V
$V_{REF15}$	Internal 1.5 V reference voltage	$T_A = 25\text{ }^{\circ}\text{C}, V_{CC} = 3.3\text{ V}$	1.485	1.5 <sup>(2)</sup>	1.515	V
$T_{coeff\_VREFBUF}$	Temperature coefficient of $V_{REFBUF}$	$T_A = -40 \sim 105\text{ }^{\circ}\text{C}$	-	-	120 <sup>(1)</sup>	ppm/ $^{\circ}$ C
$t_{start\_VREFBUF}$	Start time of $V_{REFBUF}$	-	-	10	15	$\mu$ s

1. Guaranteed by design, not tested in production.

### 5.3.19. COMP internal reference voltage characteristics (4-bit DAC)

Table 5-28 Internal reference voltage characteristics ( $V_{REFCMP}$ ) <sup>(1)</sup>

Symbol	Parameter	Condition	Minimum	Typical	Maximum	Unit
$\Delta V_{abs}$	Absolute variation	-	-	-	$\pm 0.5$	LSB
$t_{start\_VREFCMP}$	Start time of $V_{REFCMP}$	-	-	10	15	$\mu$ s

1. Guaranteed by design, not tested in production.

### 5.3.20. Timer characteristics

Table 5-28 Timer characteristics

Symbol	Parameter	Condition	Minimum	Maximum	Unit
$t_{res(TIM)}$	Timer resolution time	-	1	-	$t_{TIMxCLK}$
		$f_{TIMxCLK} = 24\text{ MHz}$	41.667	-	ns
$f_{EXT}$	Timer external clock frequency on CH1 to CH4	-	-	$f_{TIMxCLK}/2$	MHz
		$f_{TIMxCLK} = 24\text{ MHz}$	-	12	

Symbol	Parameter	Condition	Minimum	Maximum	Unit
Res <sub>TIM</sub>	Timer resolution	TIM1/14	-	16	bit
t <sub>COUNTER</sub>	16 bits counter clock period	-	1	65536	t <sub>TIMxCLK</sub>
		f <sub>TIMxCLK</sub> = 24 MHz	0.041667	2730	μs

Table 5-29 LPTIM characteristics (clock selection LSI)

Prescaler	PRESC[2:0]	Minimum overflow value	Maximum overflow value	Unit
/1	0	0.0305	1998.848	ms
/2	1	0.0610	3997.696	
/4	2	0.1221	8001.9456	
/8	3	0.2441	15997.3376	
/16	4	0.4883	32001.2288	
/32	5	0.9766	64002.4576	
/64	6	1.9531	127998.3616	
/128	7	3.9063	256003.2768	

Table 5-30 IWDG characteristics (clock selection LSI)

Prescaler	PR[2:0]	Minimum overflow value	Maximum overflow value	Unit
/4	0	0.122	499.712	ms
/8	1	0.244	999.424	
/16	2	0.488	1998.848	
/32	3	0.976	3997.696	
/64	4	1.952	7995.392	
/128	5	3.904	15990.784	
/256	6 or 7	7.808	31981.568	

### 5.3.21. Communication port characteristics

#### 5.3.21.1. I<sup>2</sup>C bus interface features

I<sup>2</sup>C interface meets the requirements of the I<sup>2</sup>C bus specification and user manual:

- Standard-mode (Sm): 100 Kbit/s
- Fast-mode (Fm): 400 Kbit/s

Timing is guaranteed by design, provided the I<sup>2</sup>C peripheral is properly configured and the I<sup>2</sup>C CLK frequency is greater than the minimum required in the table below.

Table 5-31 Minimum I<sup>2</sup>C CLK frequency

Symbol	Parameter	Condition	Minimum	Unit
f <sub>I2CCLK(min)</sub>	Minimum I <sup>2</sup> C CLK frequency	Standard-mode	2	MHz
		Fast-mode	9	

I<sup>2</sup>C SDA and SCL pins have analog filtering, see table below.

Table 5-32 I<sup>2</sup>C filter characteristics

Symbol	Parameter	Minimum	Maximum	Unit
t <sub>AF</sub>	Limiting duration of spikes suppressed by the filter (Spikers shorter than the limiting duration are suppressed)	50	260	ns

### 5.3.21.2. Serial Peripheral Interface SPI Characteristics

Table 5-33 SPI characteristics

Symbol	Parameter	Condition	Minimum	Maximum	Unit
f <sub>SCK</sub>	SPI clock frequency	Master mode	-	12 <sup>(1)</sup>	MHz
1/t <sub>c(SCK)</sub>		Slave mode	-	3 <sup>(2)</sup>	
t <sub>r(SCK)</sub> t <sub>f(SCK)</sub>	SPI clock rise and fall time	Capacitive load: C = 15 pF	-	6	ns
t <sub>su(NSS)</sub>	NSS setup time	Slave mode, presc = 2	2Tpclk	-	ns
t <sub>h(NSS)</sub>	NSS hold time	Slave mode	2Tpclk	-	ns
t <sub>w(SCKH)</sub> t <sub>w(SCKL)</sub>	SCK high and low time	Master mode	Tpclk - 2	Tpclk + 1	ns
t <sub>su(MI)</sub> t <sub>su(SI)</sub>	Data input setup time	Master mode	1	-	ns
		Slave mode	3	-	
t <sub>h(MI)</sub> t <sub>h(SI)</sub>	Data input hold time	Master mode	5	-	ns
		Slave mode	2	-	
t <sub>a(SO)</sub>	Data output access time	Slave mode	0	3Tpclk	ns
t <sub>dis(SO)</sub>	Data output disable time	Slave mode	2Tpclk	-	ns
t <sub>v(SO)</sub>	Data output valid time	Slave mode(after enable edge)	0	20	ns
t <sub>v(MO)</sub>	Data output valid time	Master mode (after enable edge)	-	5	ns
t <sub>h(SO)</sub> t <sub>h(MO)</sub>	Data output hold time	Slave mode (after enable edge)	2	-	ns
		Master mode (after enable edge)	1	-	
DuCy(SCK)	SPI slave input clock duty cycle	Slave mode	45	55	%

- The value is tested in full duplex mode.
- The value is tested in single-wire mode, if you test in full-duplex mode, the max value is 0.75 MHz.

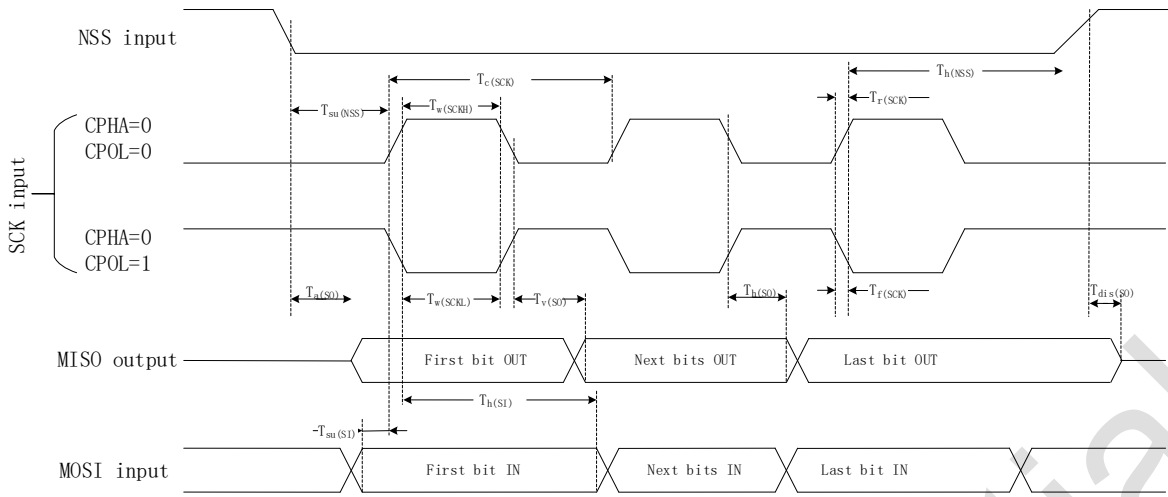


Figure 5-3 SPI timing diagram—slave mode and CPHA=0

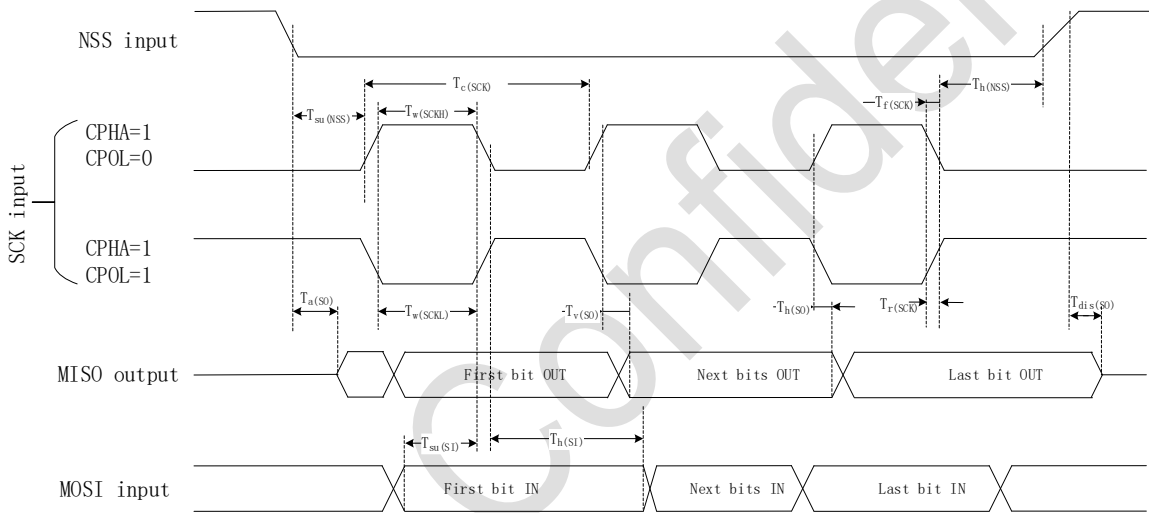


Figure 5-4 SPI timing diagram—slave mode and CPHA=1

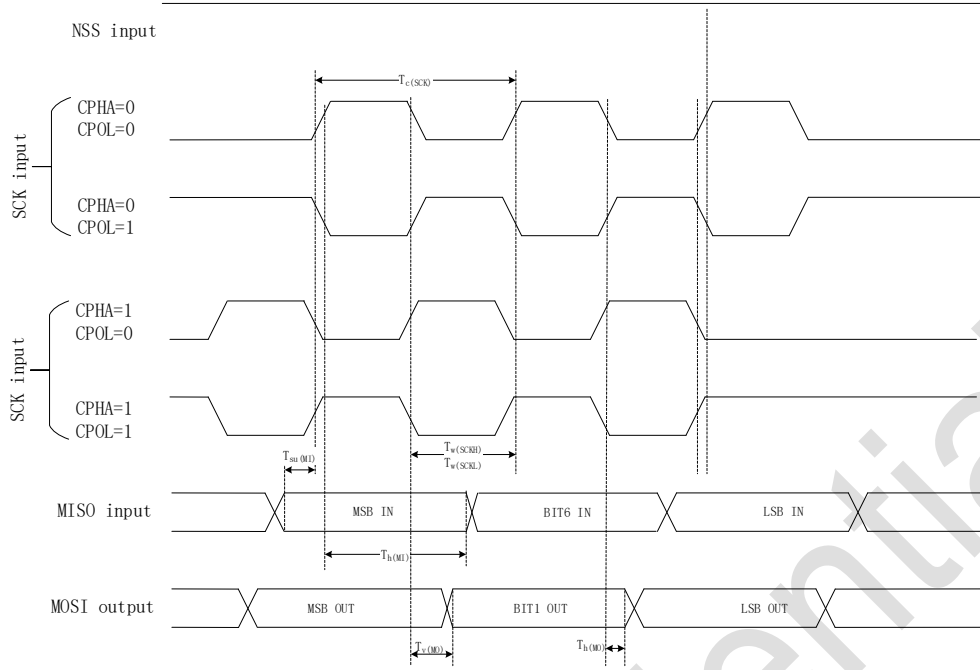
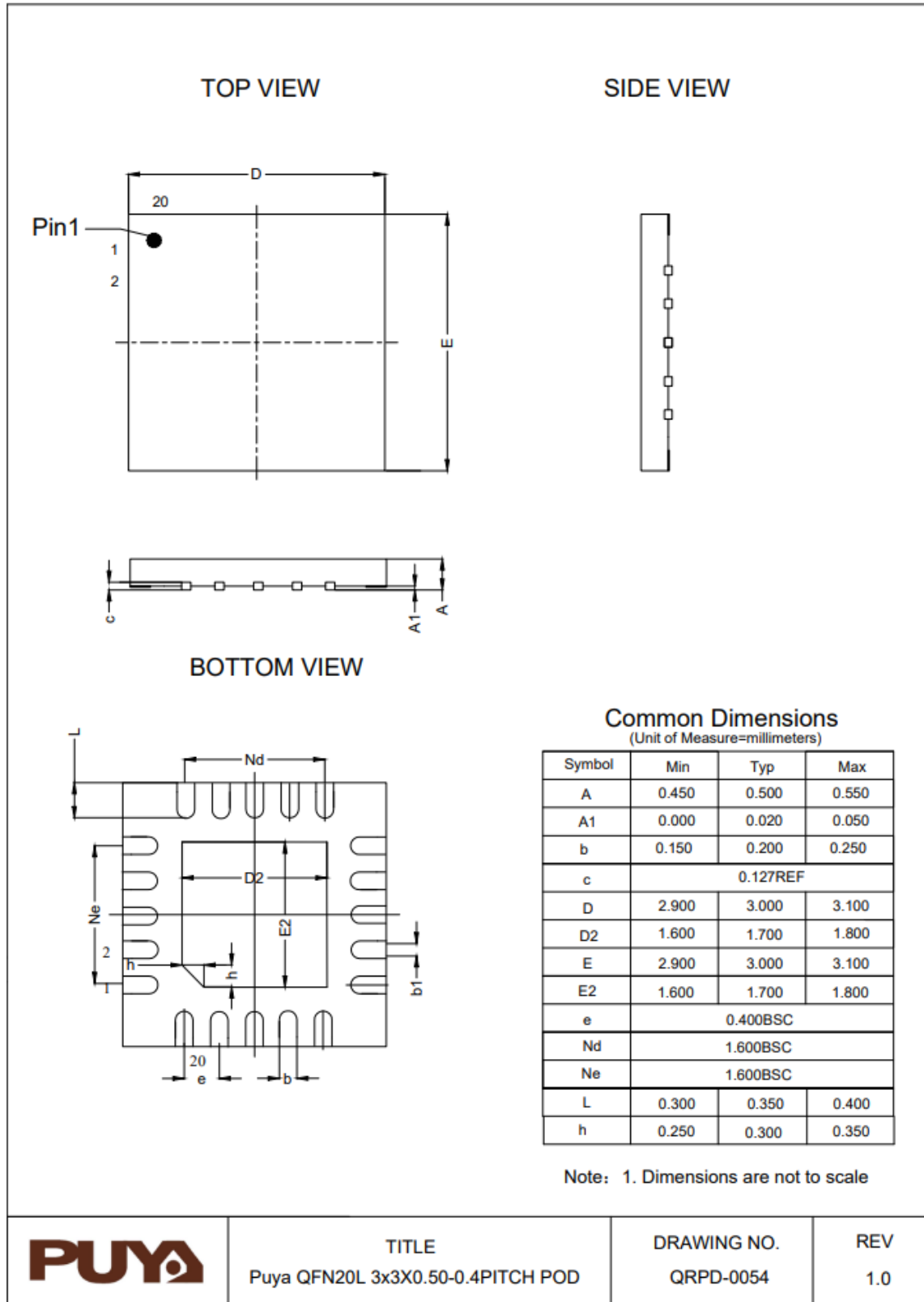


Figure 5-5 SPI timing diagram—master mode

Puya Confidential

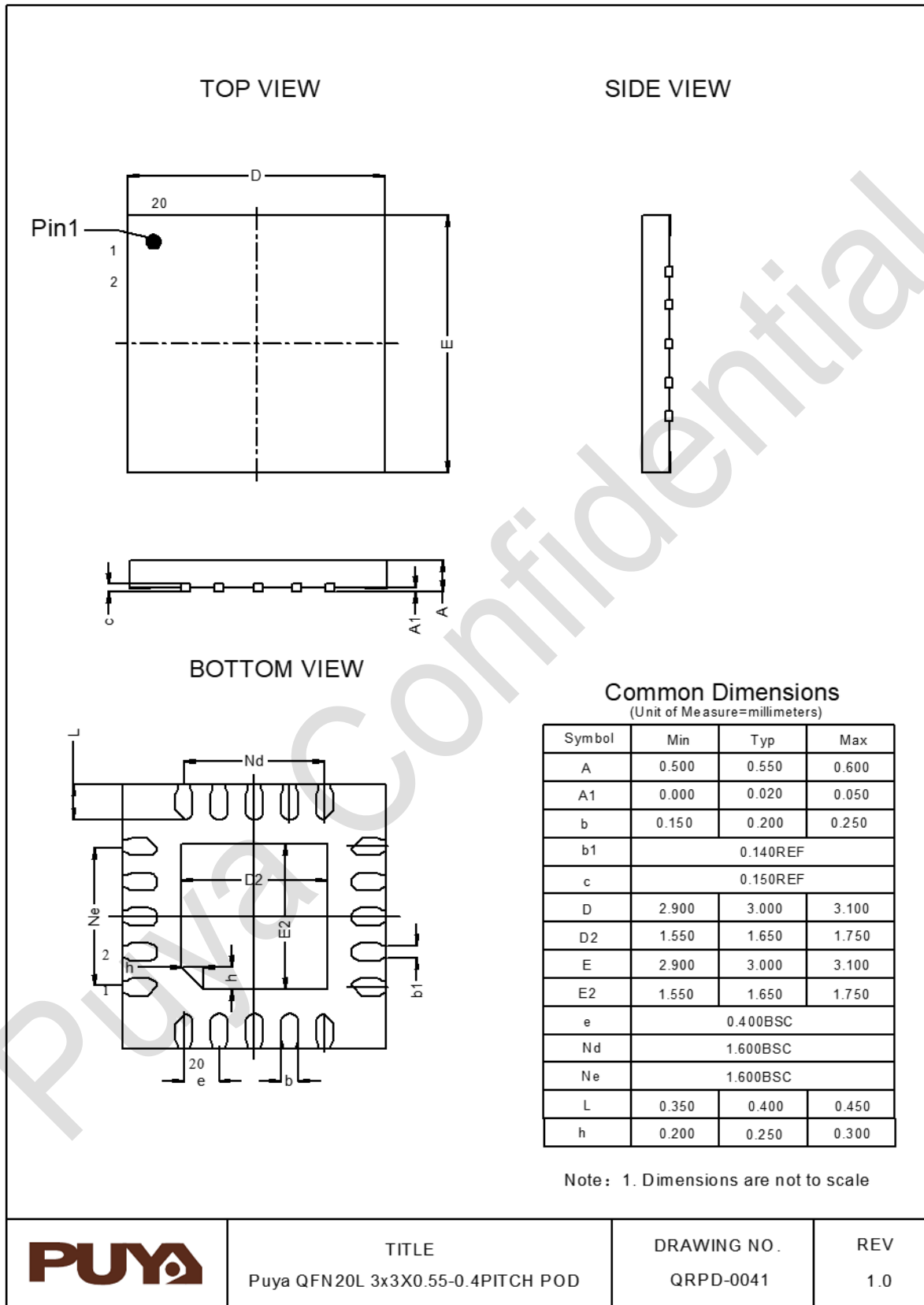
## 6. Package information

### 6.1. QFN20 (3\*3\*0.5)

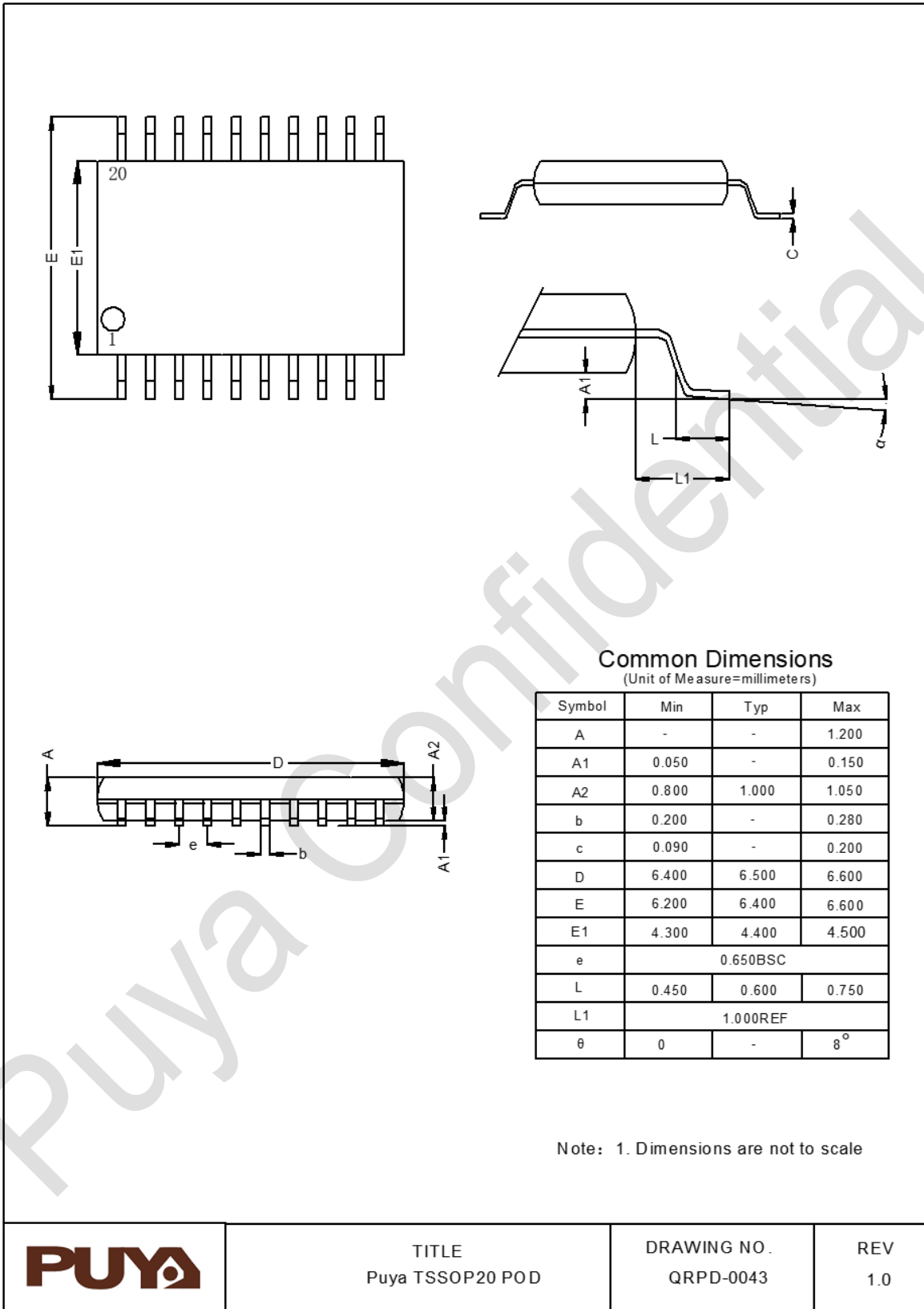




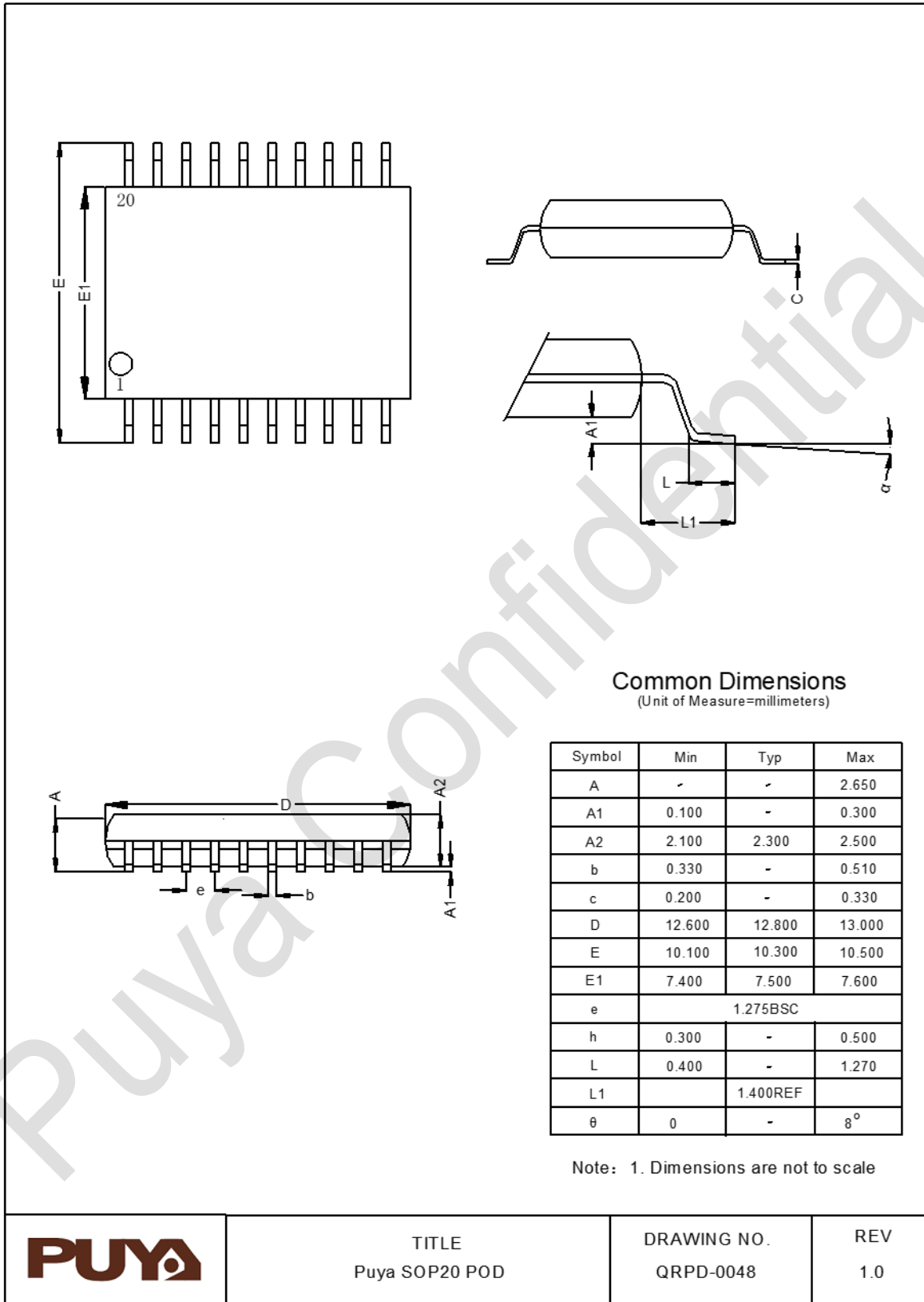
### 6.2. QFN20 (3\*3\*0.55)



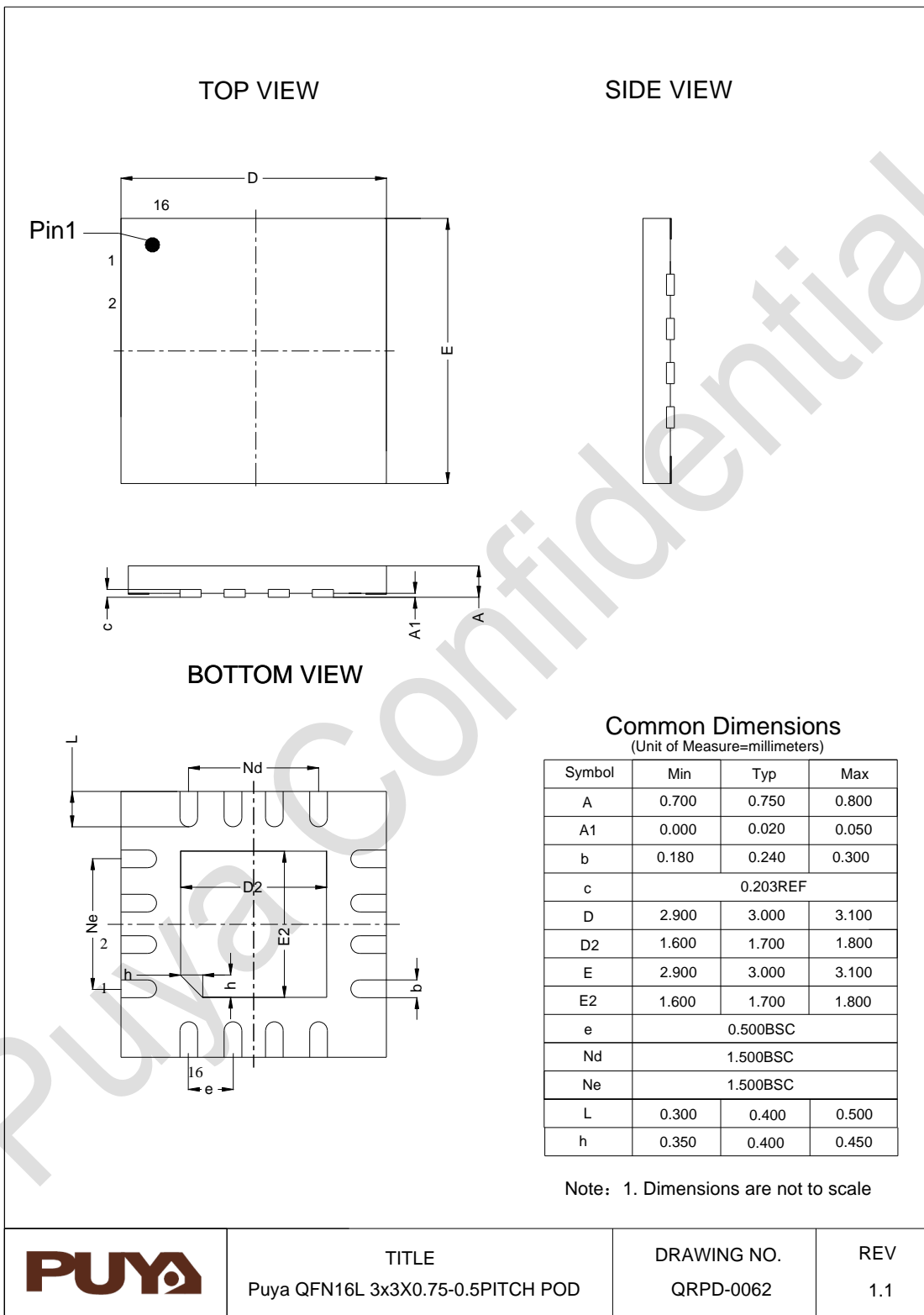
### 6.3. TSSOP20



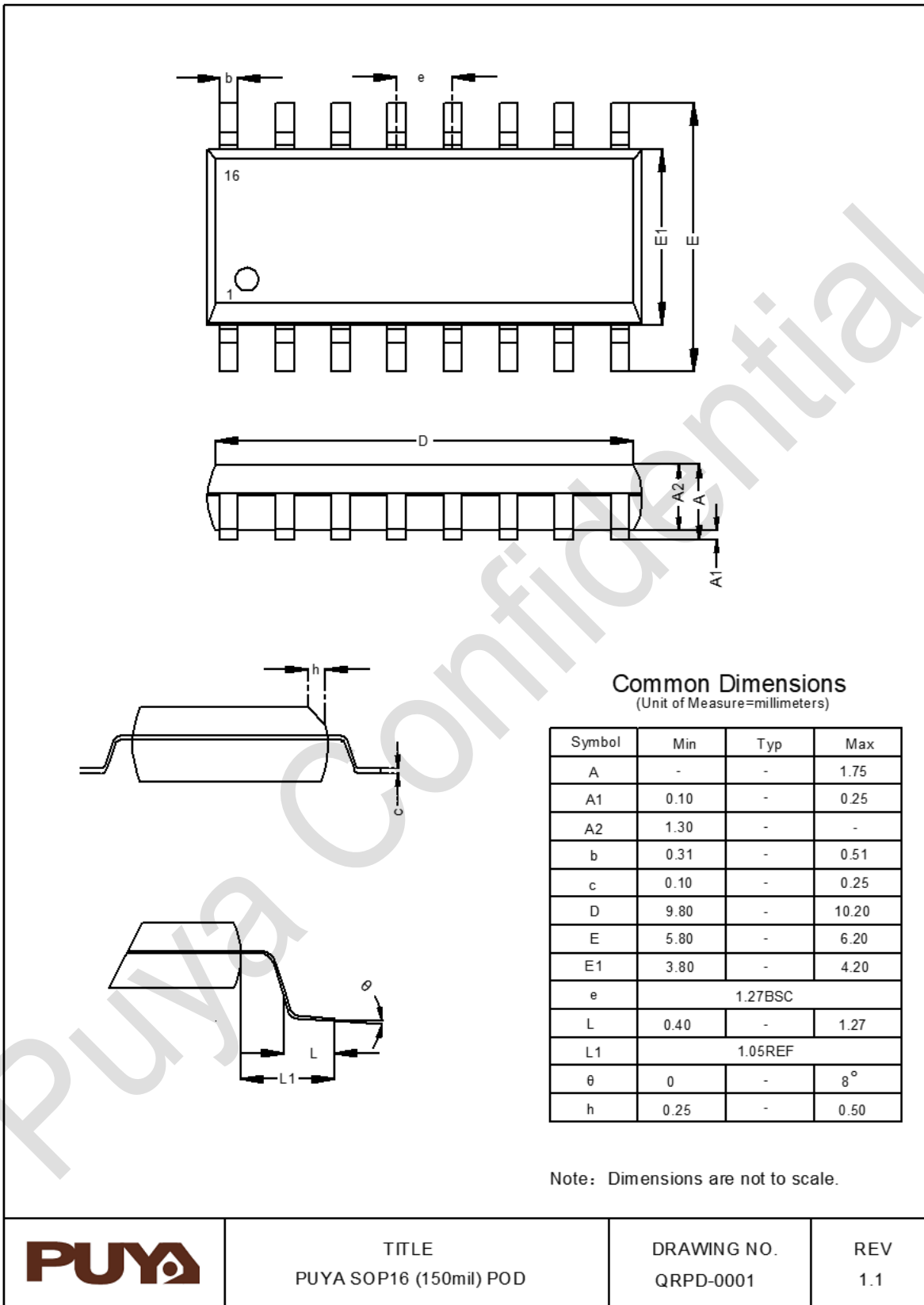
6.4. SOP20



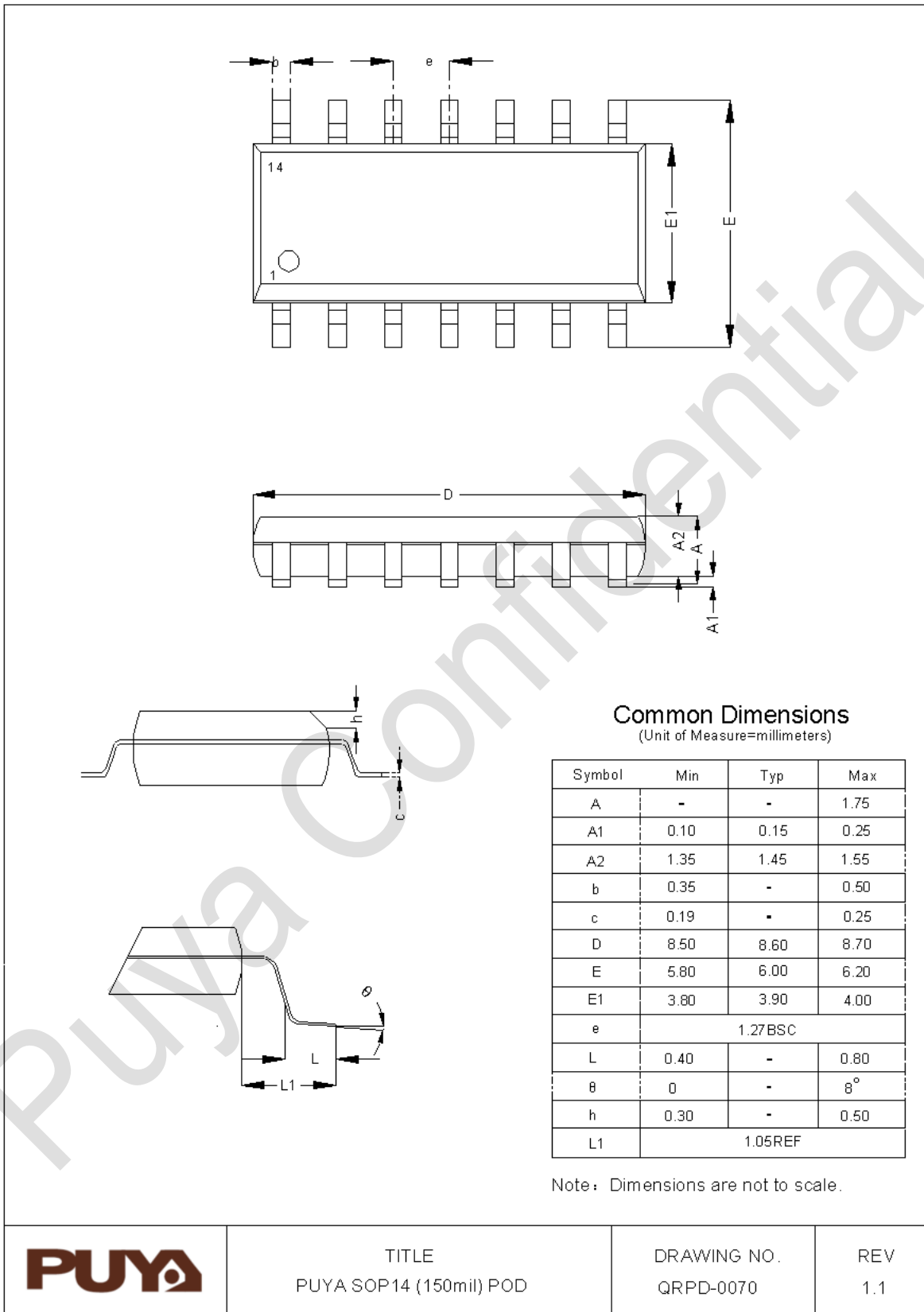
6.5. QFN16



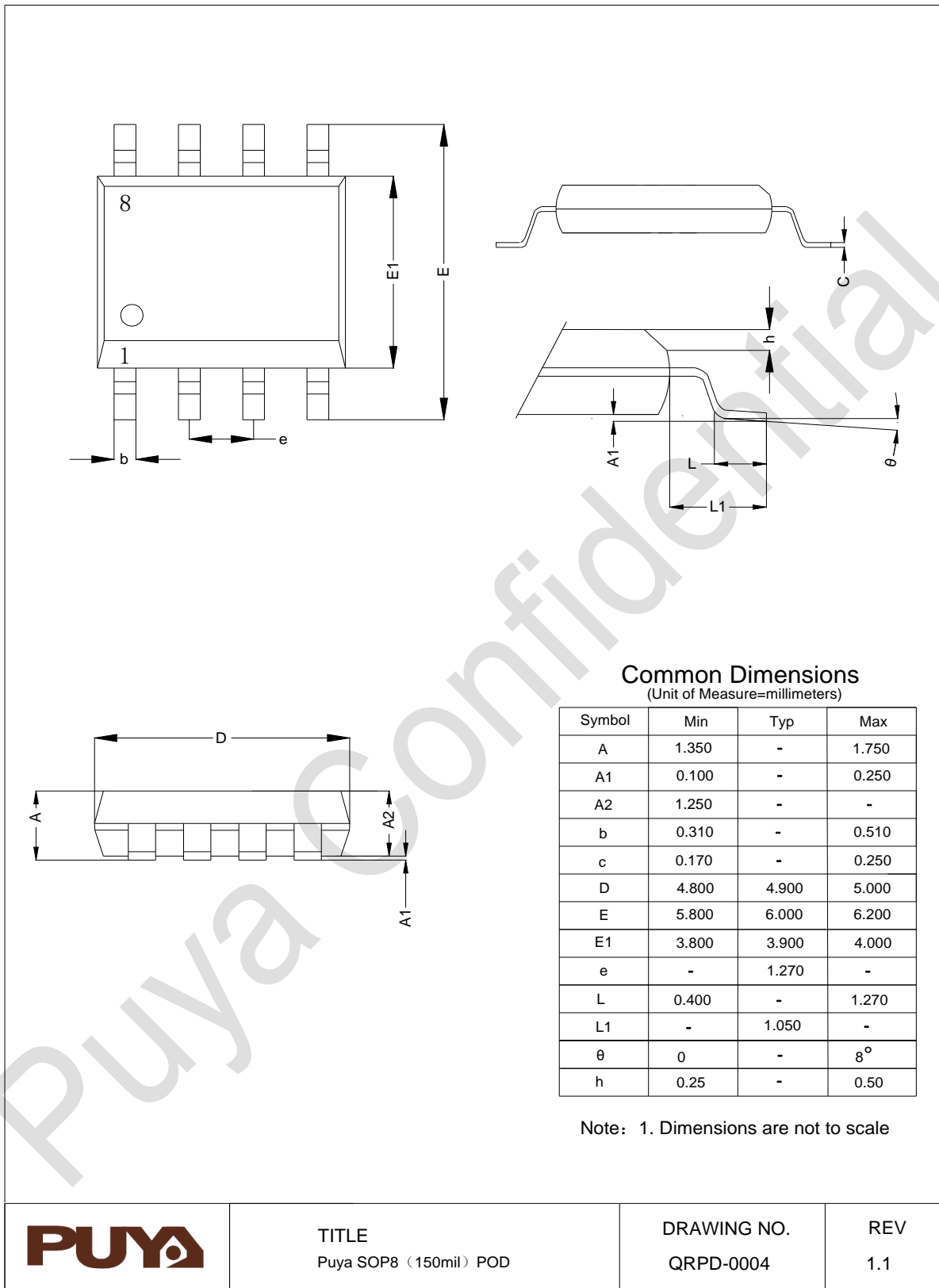
6.6. SOP16



6.7. SOP14



6.8. SOP8

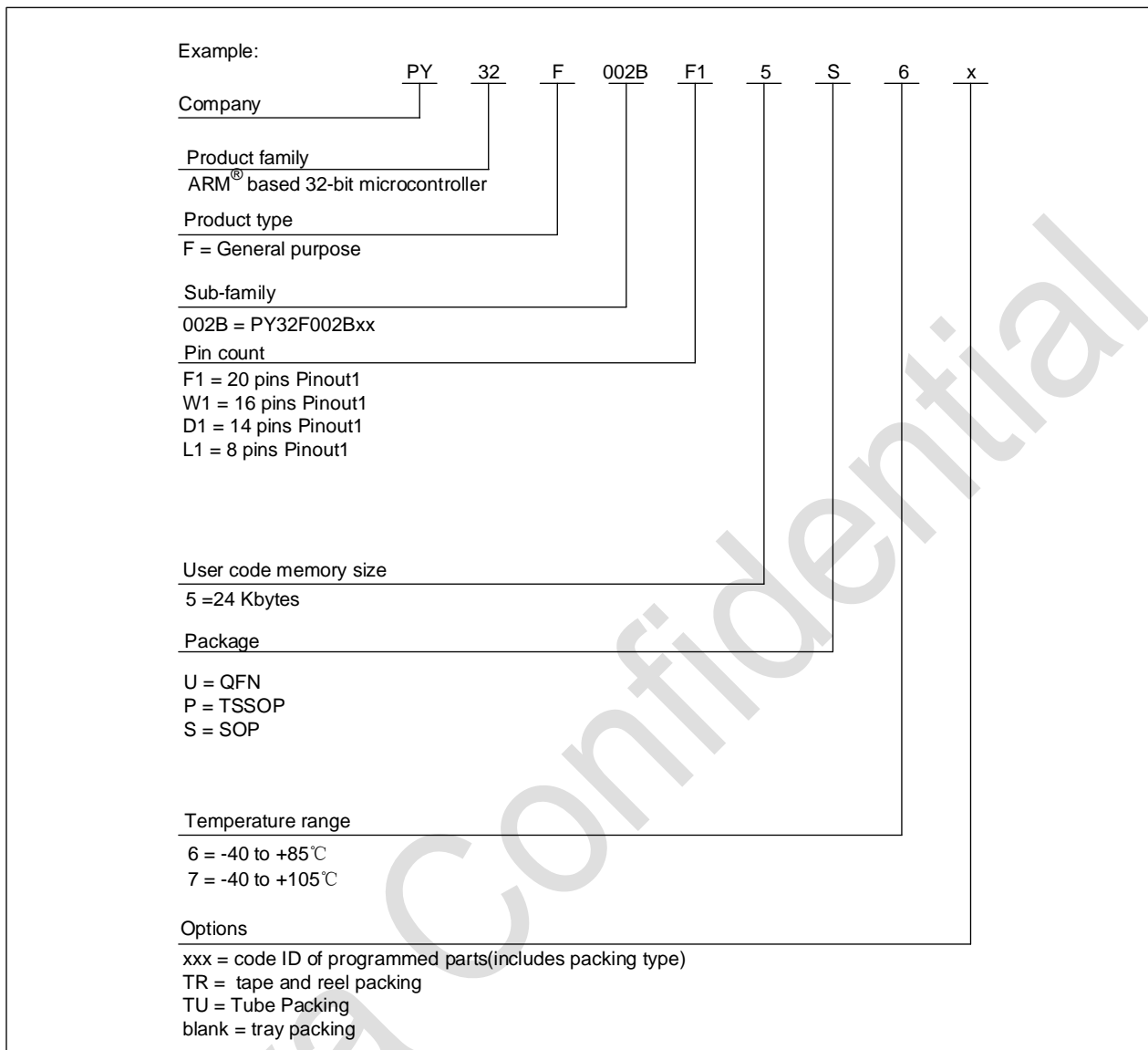


TITLE  
Puya SOP8 (150mil) POD

DRAWING NO.  
QRPD-0004

REV  
1.1

## 7. Ordering information





## 8. Version history

Version	Date	Description
V1.0	2024.06.28	Initial version
V1.1	2024.08.22	1. Add SOP20 package 2. Update Table 5-11 External high-speed clock features 3. Update QFN16 / SOP 14 / SOP8 package information



Puya Semiconductor Co., Ltd.

### IMPORTANT NOTICE

Puya reserve the right to make changes, corrections, enhancements, modifications to Puya products and/or to this document at any time without notice. Purchasers should obtain the latest relevant information of Puya products before placing orders.

Puya products are sold pursuant to terms and conditions of sale in place at the time of order acknowledgement.

Purchasers are solely responsible for the choice and use of Puya products. Puya does not provide service support and assumes no responsibility when products that are used on its own or designated third party products.

Puya hereby disclaims any license to any intellectual property rights, express or implied.

Resale of Puya products with provisions inconsistent with the information set forth herein shall void any warranty granted by Puya.

Any with Puya or Puya logo are trademarks of Puya. All other product or service names are the property of their respective owners.

The information in this document supersedes and replaces the information in the previous version.

Puya Semiconductor Co., Ltd. – All rights reserved